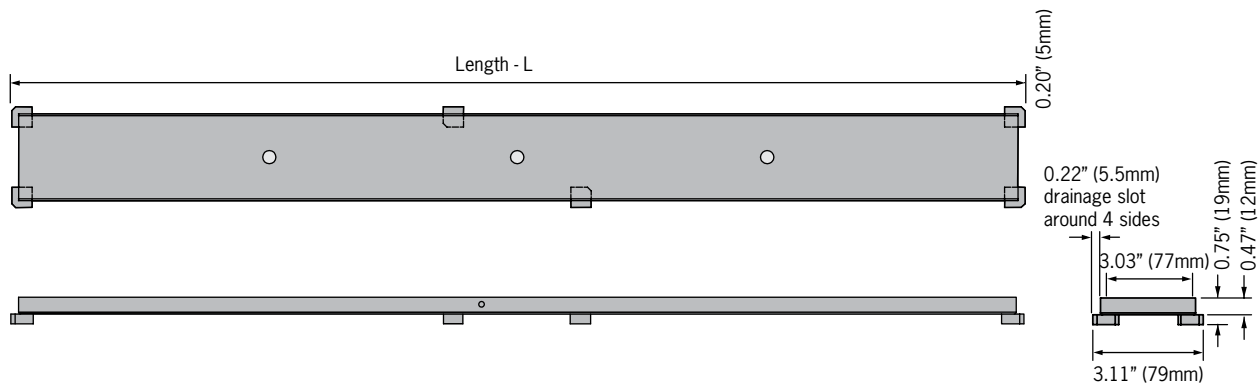


Shower Channel - Tile Grate



Product Table

Length (mm) inches	700 27.55	800 31.50	900 35.43	1000 39.37	1200 47.24	1400 55.12	Replacement grate lifting key
Part No. Electro-polished	37335	37338	37336	37334	37332	37419	37339
Part No. Oil-rubbed bronze	37327	37300	37331	37323	37310	37298	37339
Weight lbs	1.7	2.0	2.2	2.5	2.9	3.3	0.1

Specification Clause

The QuARTz by ACO shower channel and Tile grate system shall be stainless steel grade 304 manufactured by ACO Polymer Products, Inc. USA. The surface finish shall be Electropolished* OR Oil Rubbed Bronze*.

Grate shall be 3.03" (77mm) wide, with length as specified on Architects plans / Architects specification.

Shower channel shall be Plain Edge* OR Flanged Edge*. (See separate Spec Info Sheet for details)

ACO recommends checking local plumbing codes prior to installation.

The system shall be installed in accordance with the manufacturer's instructions and recommendations.

*Delete one

ACO Polymer Products, Inc.

East Sales Office
 P.O. Box 245
 Chardon, OH 44024
 Tel: (440) 285-7000
 Toll free: (800) 543-4764
 Fax: (440) 285-7005

West Sales Office
 P.O. Box 12067
 Casa Grande, AZ 85130
 Tel: (520) 421-9988
 Toll Free: (888) 490-9552
 Fax: (520) 421-9899



Electronic Contact:
 info@QuARTzbyACO.com
 www.QuARTzbyACO.com

