

CITTI 6032 TRIO WITHOUT INSERT

60" x 32" x 20"

Citti® is derived from sanskrit for "free spirit." At the same time, the name evokes today's great cities: these are the perfect baths for urban living.



PRODUCT NO.

DESCRIPTION	TMU	TUB
Left	BCTDRA0LT-XX	BCTDRA0LN-XX
Right	BCTDRA0RT-XX	BCTDRA0RN-XX
Slim deck - Left	BCTDRA1LT-XX	BCTDRA1LN-XX
Slim deck - Right	BCTDRA1RT-XX	BCTDRA1RN-XX
Front Overflow - Left	BC2DRA0LT-XX	BC2DRA0LN-XX
Front Overflow - Right	BC2DRA0RT-XX	BC2DRA0RN-XX
Front Overflow - Slim deck Left	BC2DRA1LT-XX	BC2DRA1LN-XX
Front Overflow - Slim deck Right	BC2DRA1RT-XX	BC2DRA1RN-XX

THERMOMASSEUR (TMU)

Hydro-thermo massage • Air jet system

\$

Jets	44
1 heated backrest	Included
Mia® Control	Included
Geysair®	Included
AromaCloud® BAROMAC	\$
Illuzio Chromatherapy BCHRO6	\$

TUB

Soaker

\$

AromaCloud® BAROMAC	\$
Illuzio Chromatherapy BCHRO6	\$
WarmTouchShell® BWTS	\$
DOT control	Included with therapy

FEATURES

Installation type	Alcove (3 walls)
Integrated tile flange (specify right or left)	Included
No. of bathers	44
US gallons	53 Imp. gallons

INTEGRATED WASTE & OVERFLOW **BOVERINI-XX**

White 01 , Biscuit 02 , Chrome 07 , Brushed Nickel 09 , Polished Nickel 10	Inst. & Incl.
--	---------------

STANDARD COLOR

 White 01  Biscuit 02	Included
---	----------

OPTIONS (UPCHARGE APPLICABLE)

COLOR

 Gray 05	\$
--	----

FINISH

UltraVelour Matte Finish (White only) BVEL	\$
---	----

INTEGRATED WASTE & OVERFLOW **BOVERINI-XX**

Matte Black 19 , Black Chrome 12 , Satin Brass 18	\$
--	----

SKIRT MULTIFIT 1 1/2" (standard deck only) **BSMUL-XX**

White 01 , Biscuit 02	\$
Gray 05	\$

CONTROL (TMU only)

MiaPlus®* BMIAP12-XX or BMIAP2-XX	\$
MiaMulti® BMIAM1-XX	\$

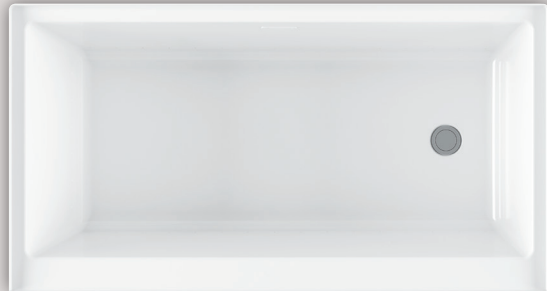
IF REQUIRED BY CONSTRUCTION CODE OR INSTALLED WITH ITD

Brass waste & overflow kit BDRCOB	\$
Brass waste kit BDRCB	\$



Turbine must be remotely installed. With the AromaCloud® and/or Control on the deck, a complete shower door cannot be installed. Don't forget to specify the **finish of the integrated waste & overflow**. * The MiaPlus® Control is included when purchasing Chromatherapy on a TMU.

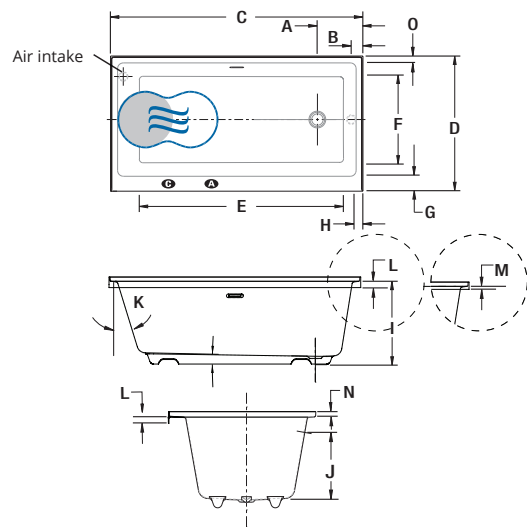
TOTAL PRICE \$



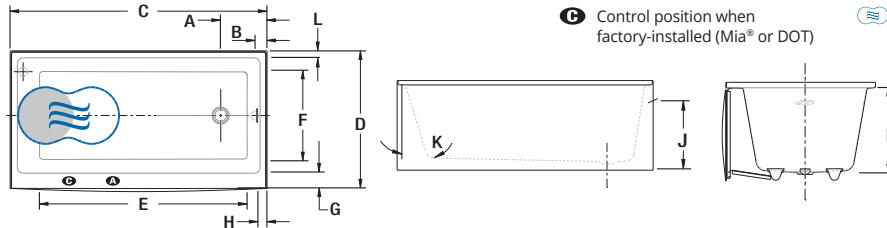
CITTI 6032 TRIO WITHOUT INSERT



INSTALLATION



Citti 6032 TRIO Front Overflow without insert



LETTER	DESCRIPTION	MEASURE
A	Outside edge to center drain	10 7/8"
B	Outside edge to centre of waste hole	2 3/4"
C	Total length	60"
D	Total width	32"
E	Bathing well length	49 1/4"
F	Bathing well width	21 1/8"
G	Deck width	3 3/4"
H	Deck width at waste end	2"
I	Height from bottom of tub to top deck	20"
J	Height from drain to center of overflow	14 1/2"
K	Slope of backrest	17°
L	Height from bottom of lip to top std deck	1 1/2"
M	Height from bottom of lip to top slim deck	1/2"
N	Tile flange height	1"
O	Deck width overflow side	2 1/8"

- A** AromaCloud® position
- G** Control position when factory-installed (Mia® or DOT)
- Indicates heated backrest (TMU)
- ☄ Indicates WarmTouchShell® position (TUB)

TECHNICAL SPECIFICATIONS

Hot water supply required	Should be 70% of water capacity of TUB or greater.
Turbine	Access to the pump must be at least 18" x 22". Standard connection is 20 A, 120 V, 60 hz , dedicated line with a Ground-Fault Circuit Interrupter (GFCI). For any additional option, a second line is needed 15 A, 120 V, 60 hz , dedicated line with a GFCI. Air vent necessary: 2" x 4" minimum.
Others	- The turbine must be remotely installed . - Citti bathtubs include an integrated tile flange, specify right or left.

Our products must be installed by certified professionals only and according to our Owner's Manual as well as federal, provincial/state and local building codes and regulations (www.bainultra.com/documentation/documentation).

Approx. shipping weight	125 lbs
Turbine power	550 W
Air heater	600 W

WARRANTY	
Controls-LED-Geysair*	5 years
Bath & turbine*	20 years

* Some restrictions apply | www.bainultra.com/warranty



The specifications shown indicate the outer edge dimension and the inside bathing capacity dimension measured at air jets' height. The manufacturer accepts a 1/4" [0.64 cm] variance. There are variations on each product and specifications are subject to change as we improve upon our product as required. The dimensions needed for site preparation and structure building will differ. BainUltra® assumes no responsibility for preparatory work done prior to the product being on site.