

Model# 0047-SA1

Two Handle Wallmount Kitchen Faucet

FEATURES & SPECIFICATIONS

- Canopy Handles
- 8" Tube Swivel Spout
- 1/2-14 NPS Female Thread
- Replaceable Seats
- 2-Hole 6-1/2" to 9-1/2" Installation
- 1.5 GPM Flow Rate
- 1.5 GPM Flow Rate

FINISHES

- PC Polished Chrome

STANDARDS

- ASME A112.18.1
- ANSI / NSF 61, SECTION 9
- CUPC / IAPMO LISTED
- ANSI A117.1 / ADA COMPLIANT
- CONTAINS NO MORE THAN 0.25% WEIGHTED AVERAGE LEAD CONTENT



FLOW

- 1.5 GPM Flow Rate

WARRANTY

- Lifetime Limited Warranty
- Lifetime Residential Warranty
- 5 Year Commercial Warranty

0047-SA1/REV. 11 2016

Product Specifications subject to change without notice

Job Name _____ Date _____

Model Specified _____ QTY _____

Customer/Wholesaler _____

Contractor _____

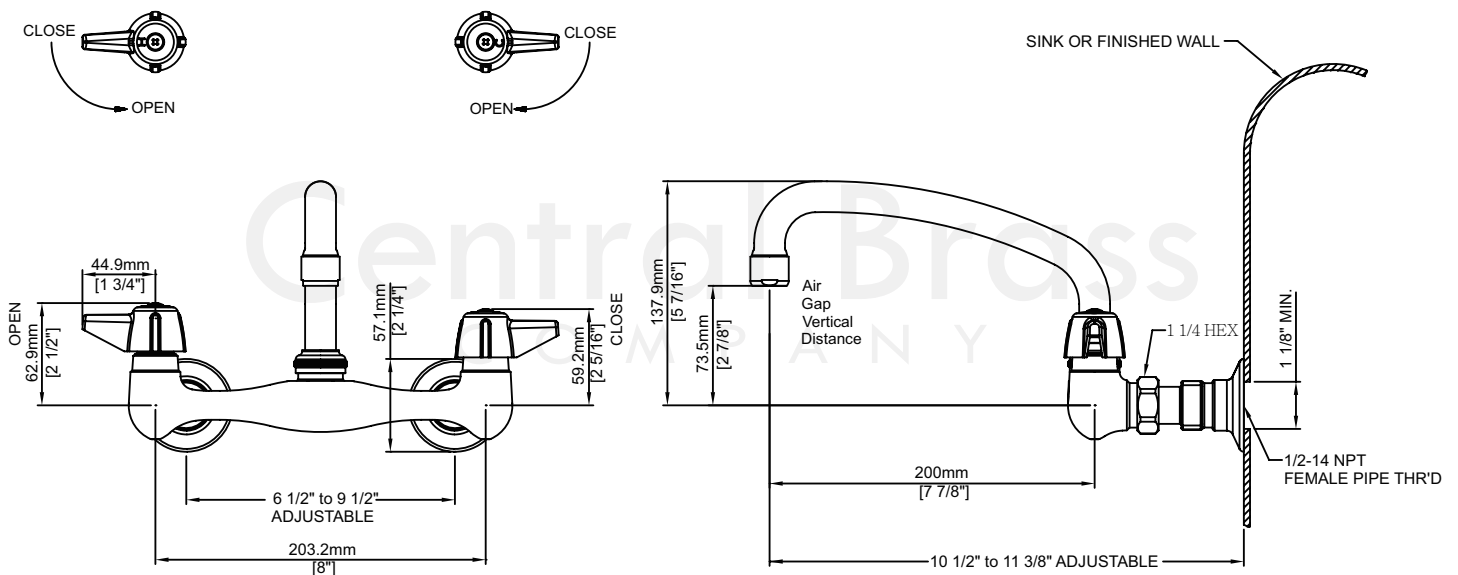
Architect/Engineer _____

Submitted as Shown _____

Submitted w/ Variations _____

Model# 0047-SA1

Two Handle Wallmount Kitchen Faucet



0047-SA1/REV. 11 2016

Product Specifications subject to change without notice