

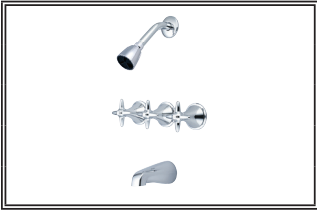
Central Brass

COMPANY

SPECIFICATION SHEET

Date: _____

THREE HANDLE TUB & SHOWER SET



Model #: _____
Specific Features: _____
Project Name: _____
Submitted For: _____
Date: _____

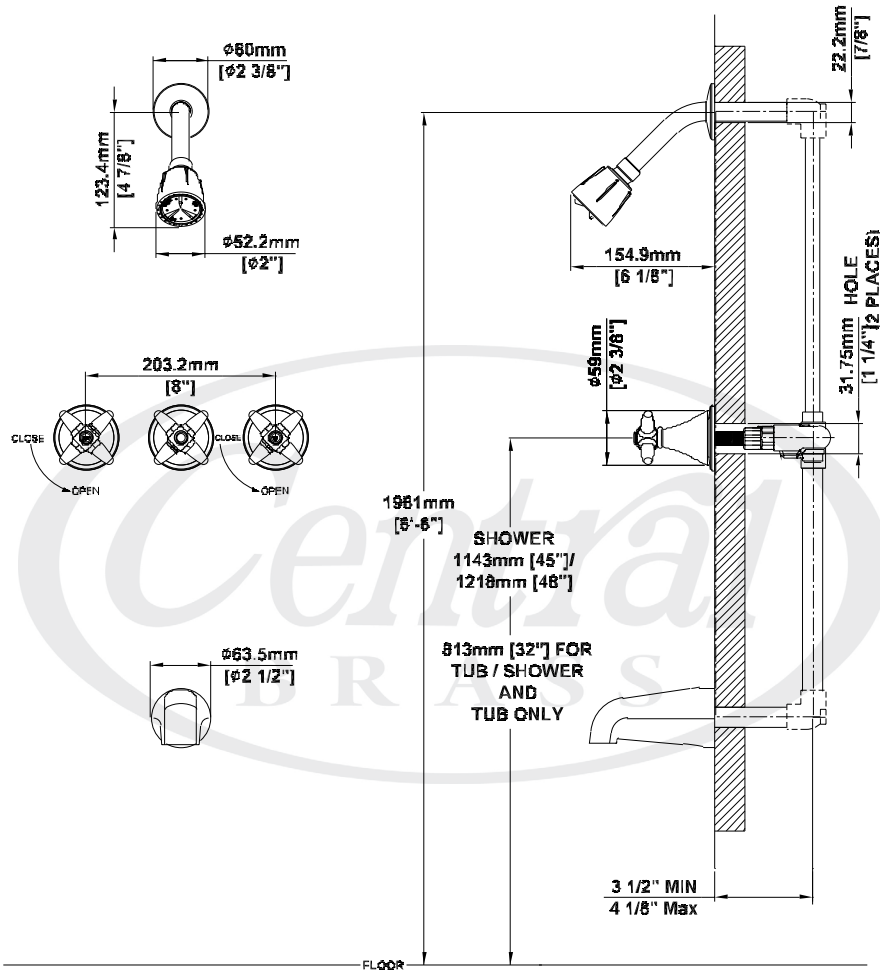
- Three Handle Tub & Shower Set
- Cross Handles
- Shower Head, Arm & Flange
- 1/2" CXC Inlets
- Ceramic Disc Cartridges
- 8" Centers
- 1/2" IPS Brass Tub Spout

80868-C3
SHOWN

Model #	Features	Finish
80868-C3	Tub & Shower Set	PVD PC
80868-ZC3	Tub & Shower Set W/ Combo Tub Spout	PVD PC
80858-C3	Tub Set	PVD PC
80858-ZC3	Tub Set W/Combo Tub Spout	PVD PC
80850-C3	Valve Set	PVD PC

Central Brass products are engineered and manufactured to meet the following standards and codes:

ASME A112.18.1M
ANSI A117.1



Brecksville, OH
www.centralbrass.com
Central Brass Company © 2011