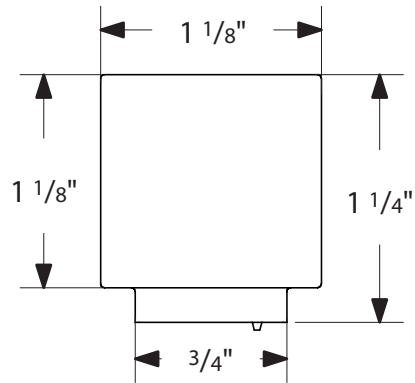
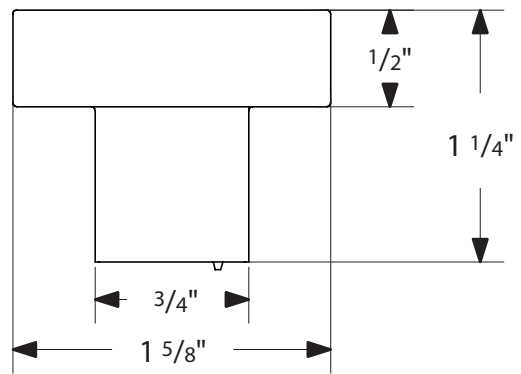
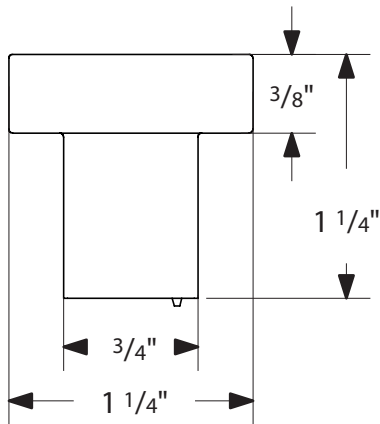
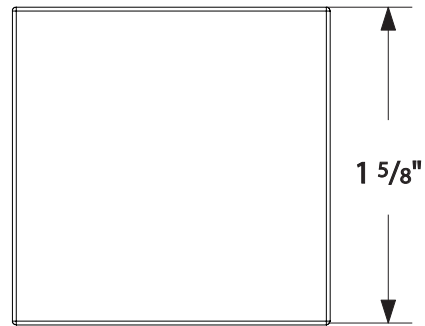
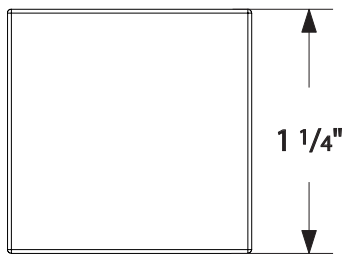


Allerton Knob
1"



Allerton Knob
1-1/8"

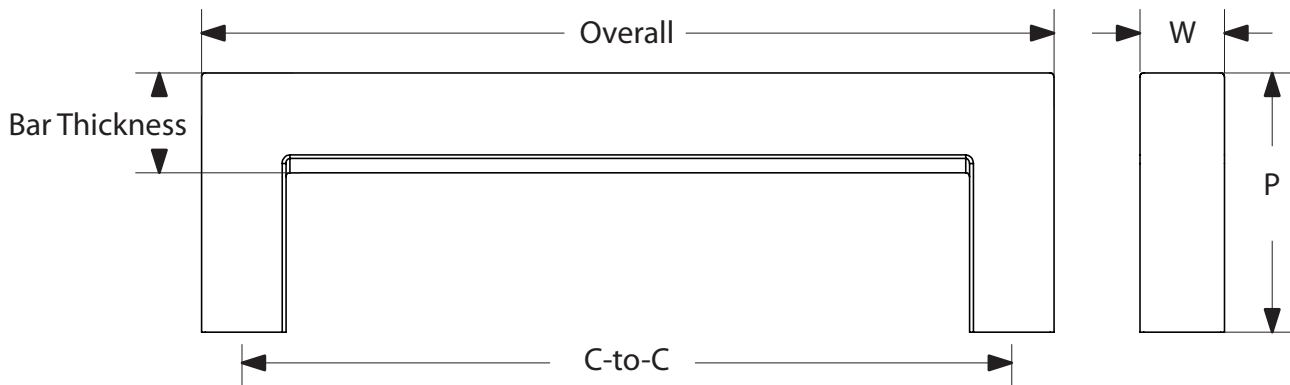
NOT DRAWN TO SCALE



Hunter Knob
1-1/4"

Hunter Knob
1-5/8"

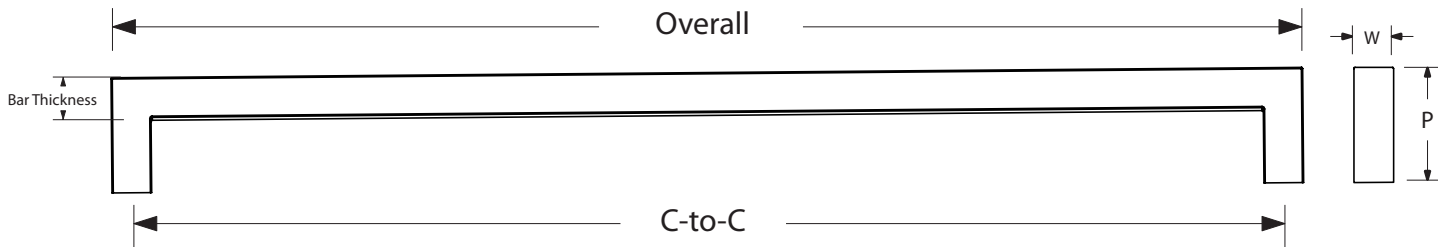
NOT DRAWN TO SCALE



Warwick Cabinet Pulls

Product Code	C-to-C	Overall	Projection(P)	Bar Thickness	Width (W)
86704	3 1/2"	4"	1 3/8"	7/16"	1/2"
86705	4"	4 1/2"	1 3/8"	7/16"	1/2"
86706	5"	5 1/2"	1 3/8"	7/16"	1/2"
86707	6"	6 1/2"	1 3/8"	7/16"	1/2"
86708	8"	8 1/2"	1 3/8"	7/16"	1/2"
86709	10"	10 1/2"	1 3/8"	7/16"	1/2"
86710	12"	12 1/2"	1 3/8"	7/16"	1/2"

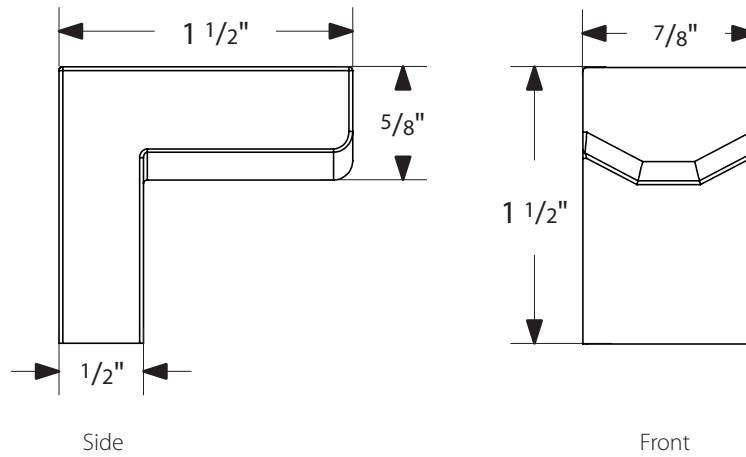
NOT DRAWN TO SCALE



Warwick Appliance Pulls

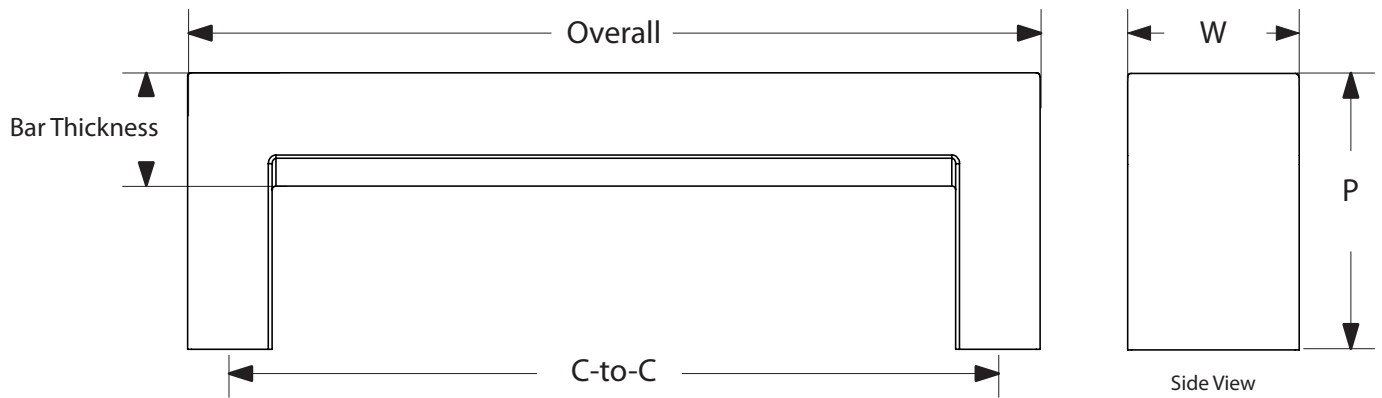
Product Code	C-to-C	Overall	Projection(P)	Bar Thickness	Width (W)
86711	12"	12 1/2"	1 3/4"	1/2"	1/2"
86712	18"	18 1/2"	1 3/4"	1/2"	1/2"

NOT DRAWN TO SCALE



Keaton Finger Pull
1-1/2"

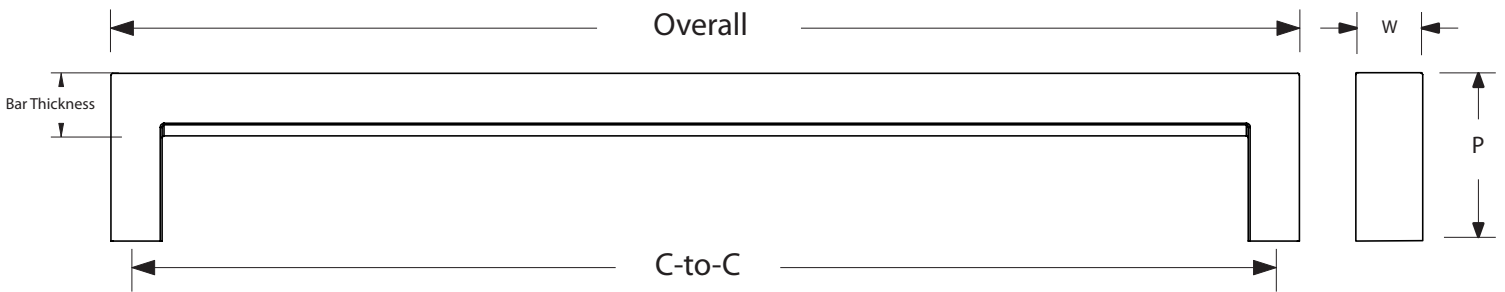
NOT DRAWN TO SCALE



Keaton Cabinet Pulls

Product Code	C-to-C	Overall	Projection(P)	Bar Thickness	Width (W)
86714	3 1/2"	4"	1 1/2"	5/8"	7/8"
86715	4"	4 1/2"	1 1/2"	5/8"	7/8"
86716	5"	5 1/2"	1 1/2"	5/8"	7/8"
86717	6"	6 1/2"	1 1/2"	5/8"	7/8"
86718	8"	8 1/2"	1 1/2"	5/8"	7/8"
86719	10"	10 1/2"	1 1/2"	5/8"	7/8"
86720	12"	12 1/2"	1 1/2"	5/8"	7/8"

NOT DRAWN TO SCALE



Keaton Appliance Pulls					
Product Code	C-to-C	Overall	Projection(P)	Bar Thickness	Width (W)
86721	12"	12 1/2"	1 3/4"	5/8"	1"
86722	18"	18 1/2"	1 3/4"	5/8"	1"

NOT DRAWN TO SCALE