

SHOWER  
Full Pressure Balancing System -  
Tub & Shower  
**G-7215-C16S**

---

**GRAFF®**



## Information

- 1/2" pressure balance valve with diverter and trim
- 9" showerhead with 11" wall-mounted shower arm
- Showerhead features no-clog, easy-clean spray nozzles
- 8" matching Camden collection tub spout
- Optional extension kit
- Showerhead flow rate  $\leq 1.8$  max gpm
- CALGreen

SHOWER  
8" Camden Tub Spout  
**G-6965**

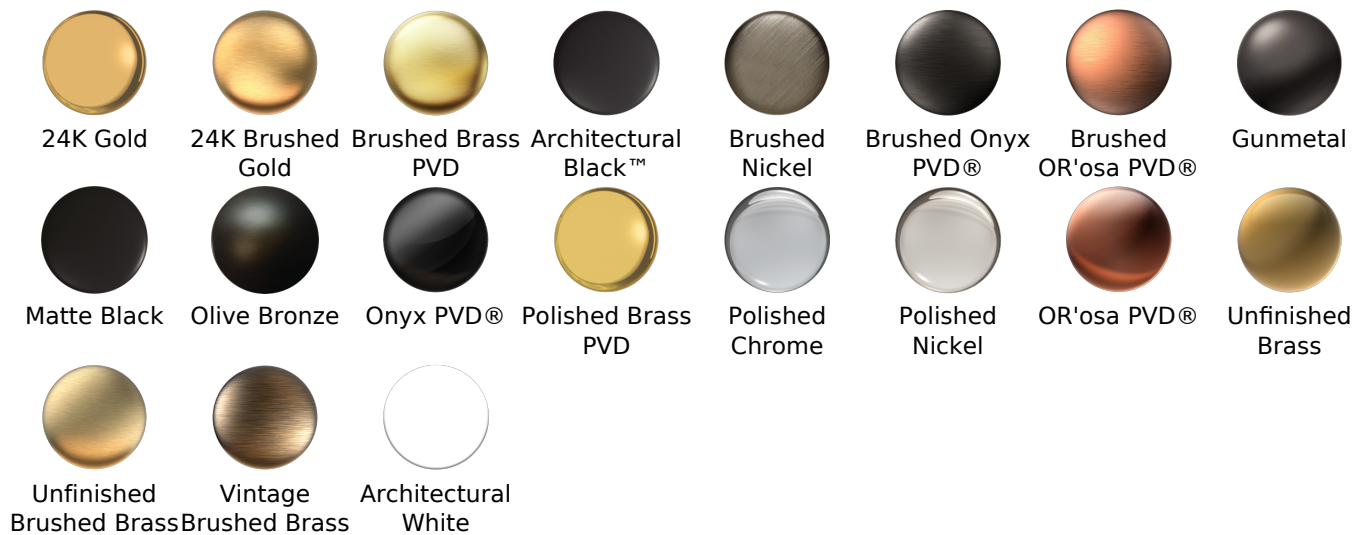
**GRAFF®**



**Information**

- Includes spout ring
- 1/2" NPT male thread inlet
- Tub spout flow rate ~ 13.9 gpm @60 psi
- ADA

**Finishes**



## G-6965

Camden Collection  
8" Camden Tub Spout

**GRAFF**<sup>®</sup>  
CUTTING EDGE DESIGN



### Product Features

- Includes spout ring
- 1/2" NPT female thread inlet
- Tub spout flow rate ~ 13.9 @60 psi

### Available Finishes

- Polished Chrome  
G-6965-PC
- Brushed Nickel  
G-6965-BNi
- Polished Nickel  
G-6965-PN
- Olive Bronze  
G-6965-OB
- Unfinished Brass\*  
G-6965-UB\*
- Gold\*  
G-6965-AU\*
- Brushed Gold\*  
G-6965-BAU\*

\* Special order finish- call for availability

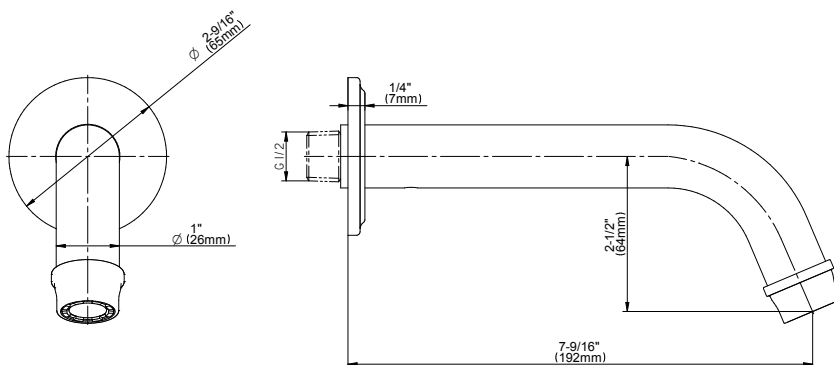
### Code Compliance

- CALGreen

### Warranty

- Limited lifetime warranty

For complete warranty information go to  
<https://www.graff-faucets.com/en/info/faqs>



The measurements shown are for reference only. Products and specifications shown are subject to change without notice. Revised 5/2018.

[www.graff-designs.com](http://www.graff-designs.com) | phone: 800-954-4723

SHOWER  
 Concealed Pressure Balancing  
 Valve Rough w/Diverter  
**G-7055**



**Information**

- Anti-scald protection
- 1/2" universal inlets/outlets with male threads
- Built-in service stops
- Push-button diverter
- For use with tub & shower configuration
- Supplied with protective plastic guard

**Finishes**





## G-7055

1/2" Rough Valve w/Diverter



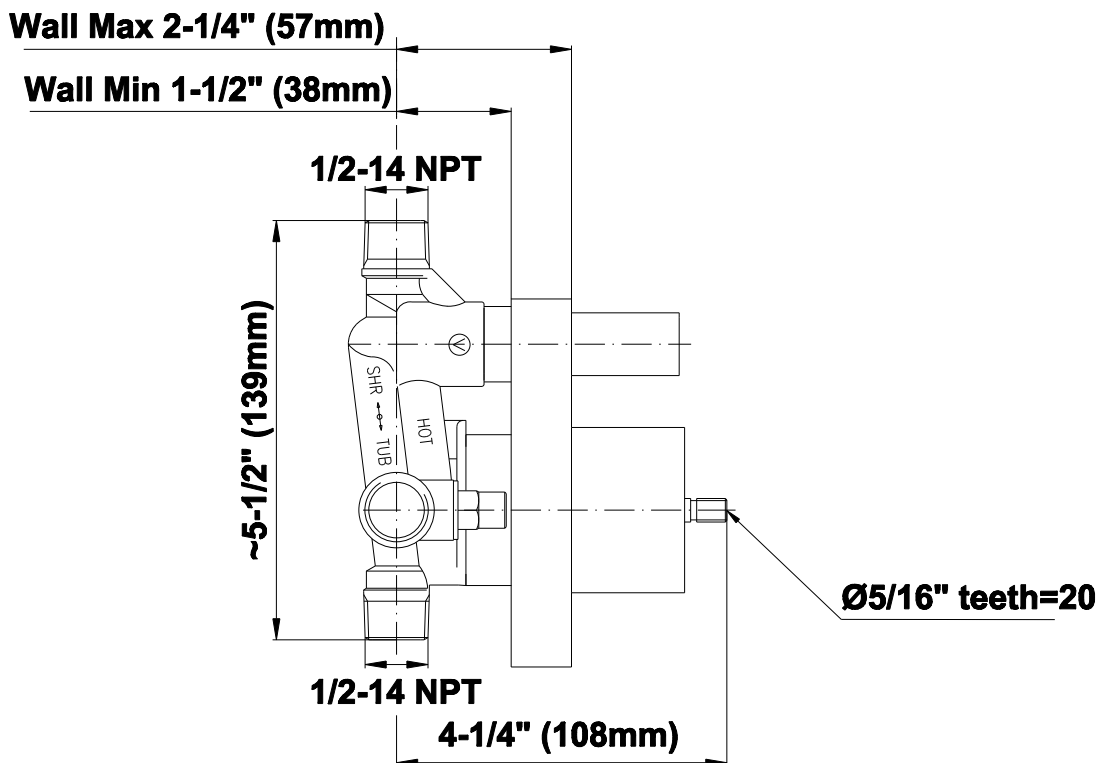
### Product Features

- Anti-scald protection
- 1/2" universal inlets/outlets with male threads
- Built-in service stops
- Push-button diverter
- For use with tub & shower configuration
- Supplied with protective plastic guard

### Warranty

- Limited lifetime warranty

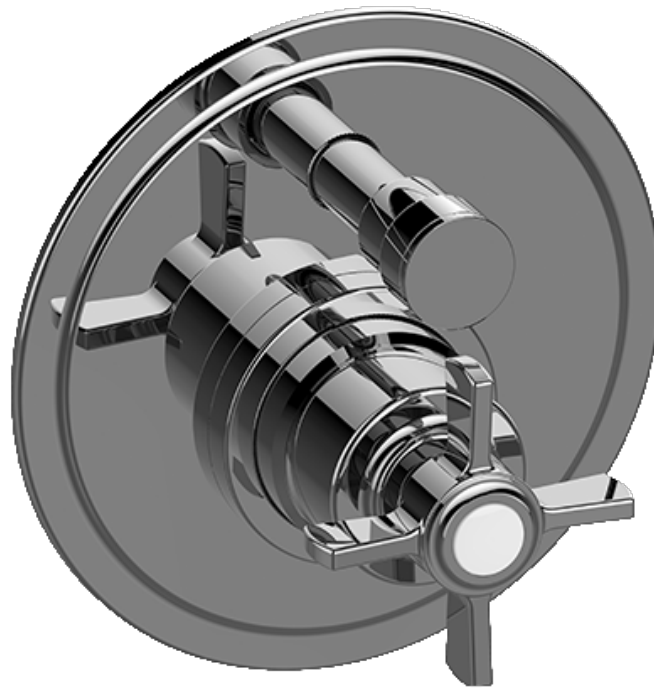
For complete warranty information go to [www.graff-faucets.com/en-nam/warranty](http://www.graff-faucets.com/en-nam/warranty)



The measurements shown are for reference only. Products and specifications shown are subject to change without notice. Revised 06/2014.

[www.graff-faucets.com](http://www.graff-faucets.com) | phone: 800-954-4723

SHOWER  
 Pressure Balancing Valve Trim  
 with Handle & Diverter  
**G-7095-C16S-T**



**Information**

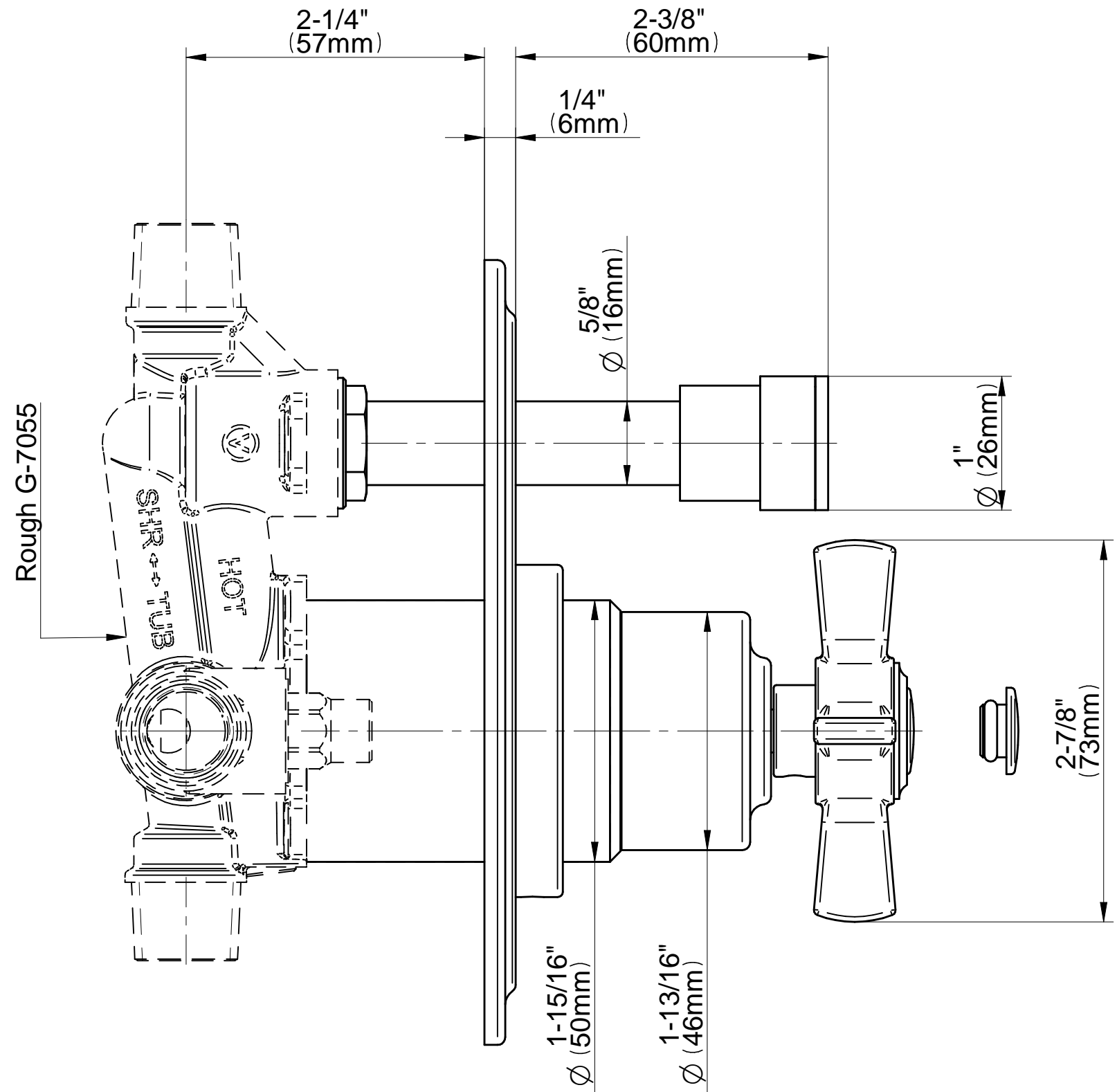
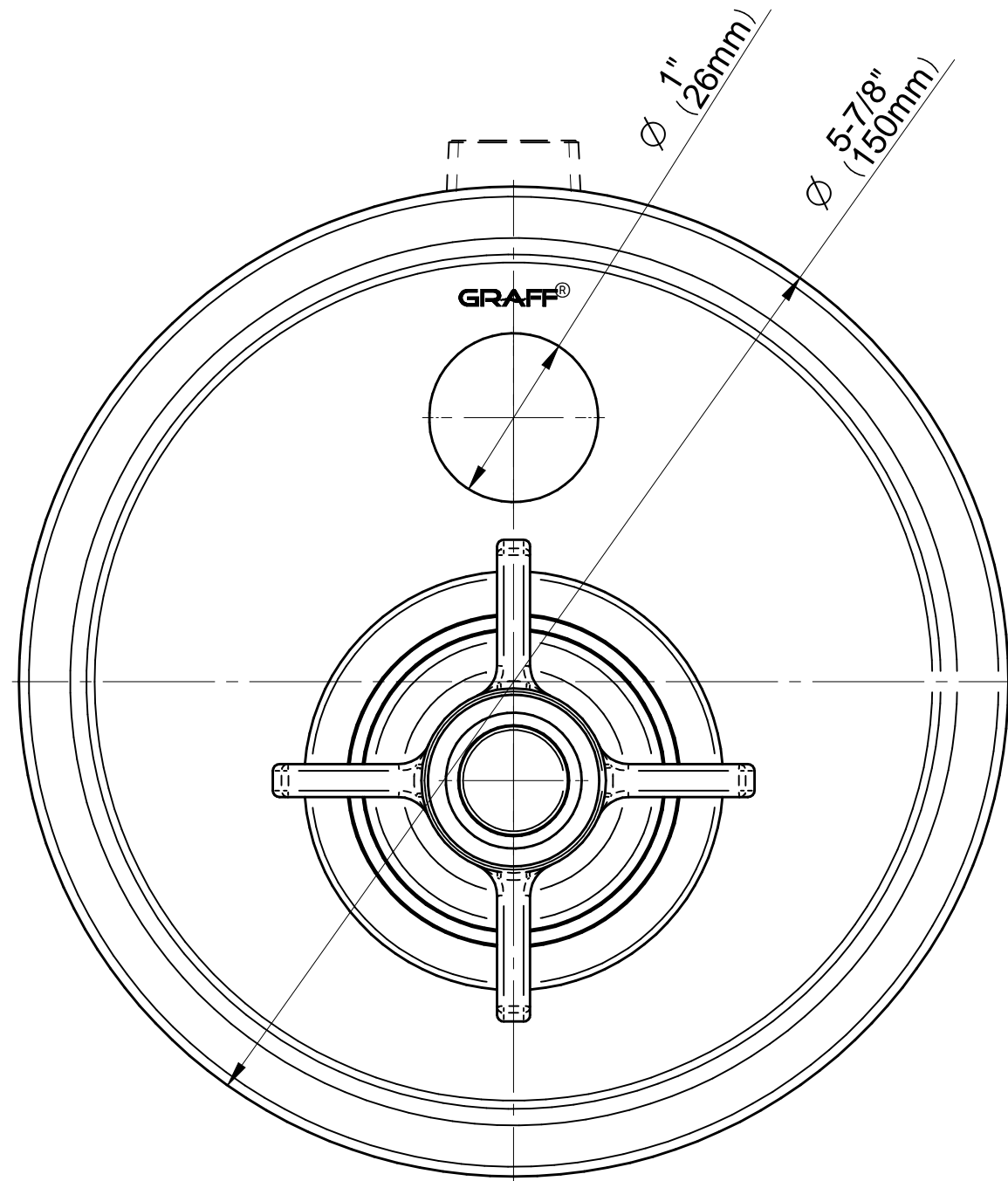
- Single metal handle, decorative trim plate
- Includes push-button diverter
- Use with G-7055 pressure balancing rough valve
- Available Fall 2017- Call for earlier availability
- ADA

**Finishes**



# G-7095-C16S-T

## CAMDEN Series







**Information**

- 126 no-clog, easy-clean rubber spray nozzles
- Recommended use with ceiling shower arm
- Recommended for use at no more than 10 degrees tilt
- Showerhead flow rate ≤ 1.8 max gpm
- CALGreen

**Finishes**



# G-8406

Finezza Collection  
9" Rain Showerhead

## Product Features

- Sunflower shape
- 126 no-clog, easy-clean rubber spray nozzles
- Showerhead flow rate < 1.8 max gpm

## Available Finishes

- Polished Chrome  
G-8406-PC
- Brushed Nickel  
G-8406-BNi
- Polished Nickel  
G-8406-PN
- Unfinished Brass\*  
G-8406-UB\*
- Olive Bronze  
G-8406-OB\*
- Gold\*  
G-8406-AU\*
- Brushed Gold\*  
G-8406-BAU\*

\* Special order finish- call for availability



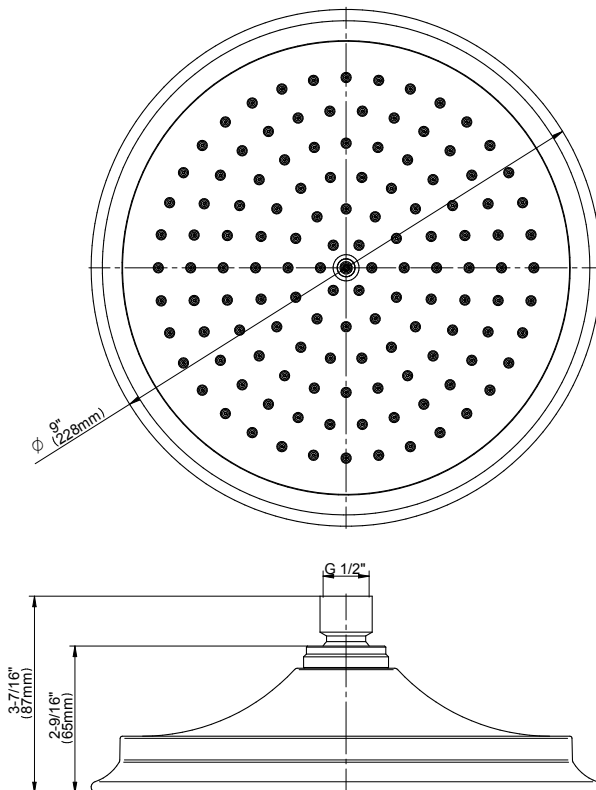
## Code Compliance

- CALGreen

## Warranty

- Limited lifetime warranty

For complete warranty information go to [www.graff-designs.com/en-nam/warranty](http://www.graff-designs.com/en-nam/warranty)



The measurements shown are for reference only. Products and specifications shown are subject to change without notice. Revised 12/2017

[www.graff-designs.com](http://www.graff-designs.com) | phone: 800-954-4723

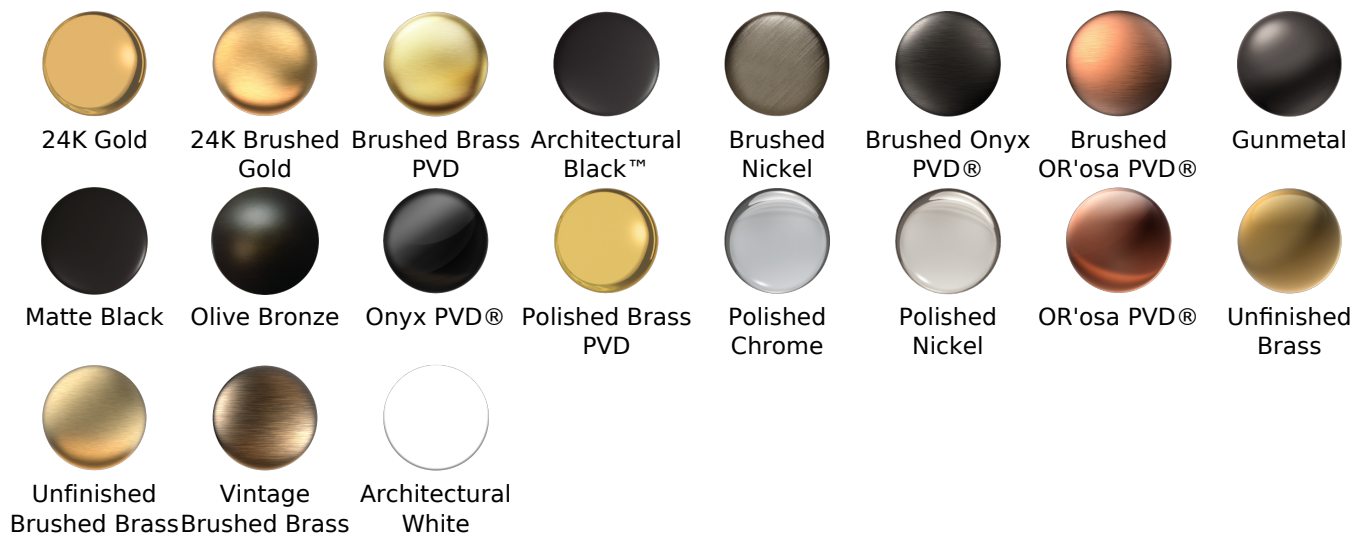
SHOWER  
 Transitional 11" Shower Arm  
**G-8508**



**Information**

- Includes arm and flange
- 1/2" NPT male thread inlet
- For use with all showerheads

**Finishes**



## G-8508

### Transitional 11" Shower Arm

# GRAFF®



#### Product Features

- Includes arm and round flange
- 1/2" NPT male thread inlet
- For use with all showerheads

#### Warranty

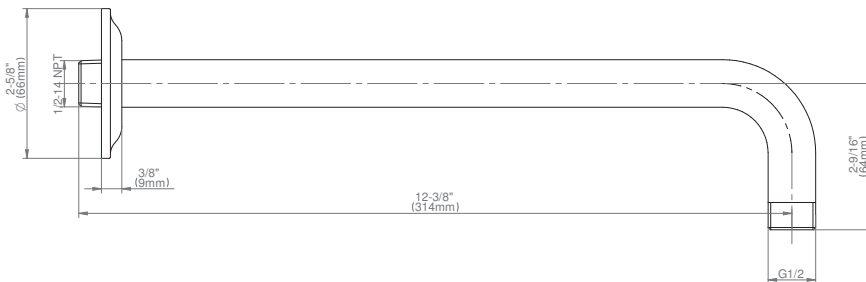
- Limited lifetime warranty

For complete warranty information go to <https://www.graff-faucets.com/en/info/faqs>

#### Available Finishes

- Polished Chrome  
G-8508-PC
- Brushed Nickel  
G-8508-BNi
- Polished Nickel  
G-8508-PN
- Unfinished Brass\*  
G-8508-UB\*
- Unfinished Brushed Brass\*  
G-8508-UBB\*
- Matte Black\*  
G-8508-MBK\*
- Architectural Black\*  
G-8508-BK\*
- Architectural White\*  
G-8508-WT\*
- Steelnox (Satin Nickel)\*  
G-8508-SN\*
- Olive Bronze\*  
G-8508-OB\*
- Gunmetal\*  
G-8508-GM\*
- Vintage Brushed Brass\*  
G-8508-VBB\*
- OR'osa PVD\*  
G-8508-RG\*
- Onyx PVD\*  
G-8508-OX\*
- Polished Brass PVD\*  
G-8508-PB\*
- Brushed Brass PVD\*  
G-8508-BB\*
- 24K Gold\*  
G-8508-AU\*
- 24K Brushed Gold\*  
G-8508-BAU\*

\* Special order finish- call for availability



The measurements shown are for reference only. Products and specifications shown are subject to change without notice. Revised 7/2019.

[www.graff-designs.com](http://www.graff-designs.com) | phone: 800-954-4723