

SHOWER  
Phase M-Series Thermostatic  
Shower System - Tub and Shower  
with Handshower  
**GL3.G12ST-LM45E0**

---

**GRAFF®**

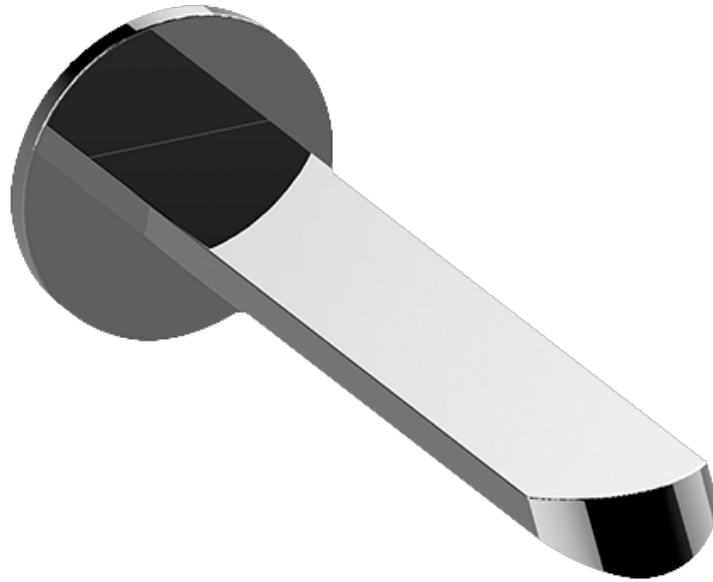


## Information

- 3/4" thermostatic valve and trim
- 3/4" stop/volume control valve and 3-way diverter valve and trims
- 8" showerhead with 12" wall-mounted shower arm
- Showerhead features no-clog, easy-clean spray nozzles
- Handshower set with wall-mounted slide bar and 59" hose
- 8" matching Phase collection tub spout
- Optional extension kit
- Flow rates: showerhead  $\leq 1.8$  max gpm, handshower  $\leq 1.5$  max gpm
- CALGreen

SHOWER  
8" Contemporary Phase Tub  
Spout  
**G-6665**

**GRAFF®**



**Information**

- Includes spout ring
- 1/2" NPT male thread inlet
- Matches Phase Collection
- Tub spout flow rate ~ 5.4 gpm @60 psi

**Finishes**



24K Gold



24K Brushed  
Gold



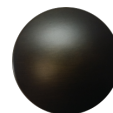
Architectural  
Black™



Brushed  
Nickel



Matte Black



Olive Bronze



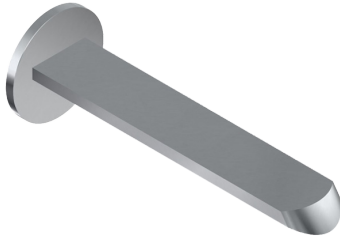
Polished  
Chrome



Polished  
Nickel



Architectural  
White



### Product Features

- Includes spout ring
- 1/2" NPT male thread inlet

### Available Finishes

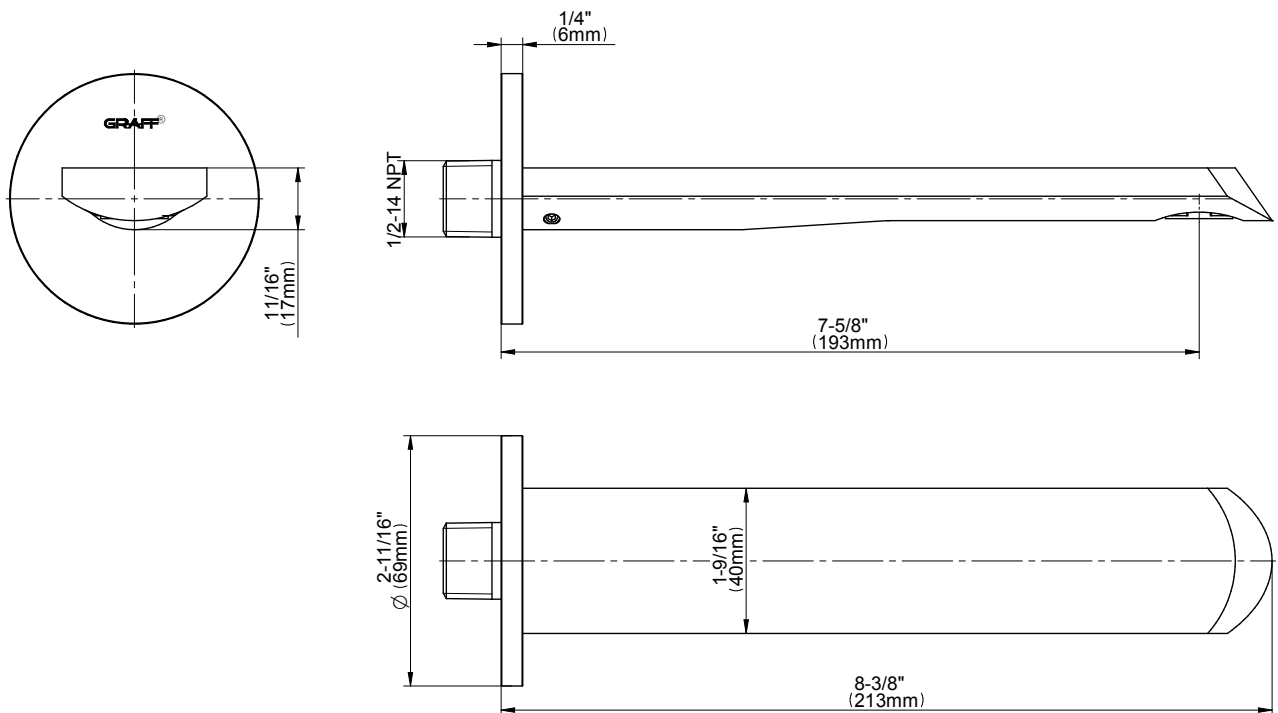
- Polished Chrome  
G-6665-PC
- Brushed Nickel  
G-6665-BNi
- Polished Nickel  
G-6665-PN
- Olive Bronze™  
G-6665-OB\*

\* Special order finish- call for availability

### Warranty

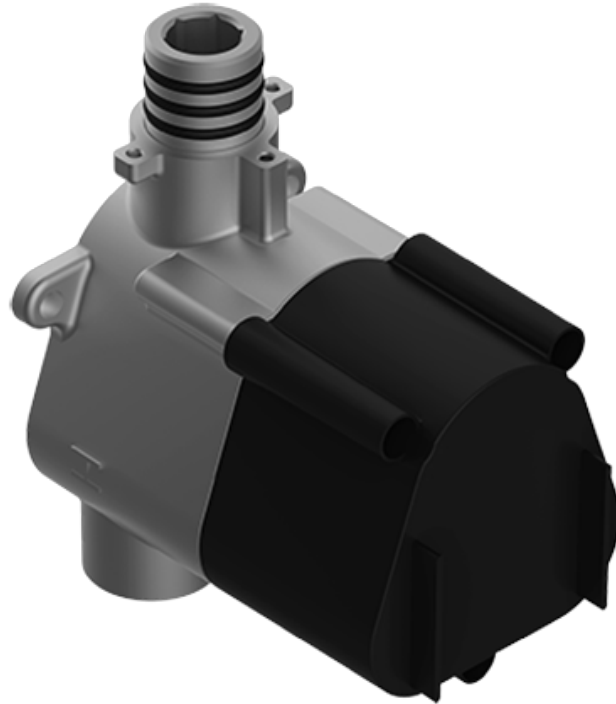
- Limited lifetime warranty

For complete warranty information go to  
<http://www.graff-faucets.com/en/info/faqs>



SHOWER  
Thermostatic Rough Valve  
**G-8006**

**GRAFF®**



**Information**

- 12.9 gpm @ 60 psi
- 3/4" universal inlets
- Built-in service stops
- Stacking outlet feature
- Complete serviceability from front of all units
- Supplied with protective plastic cover
- CalGreen compliant dependent on functions

**Finishes**



24K Gold



24K Brushed  
Gold



Architectural  
Black™



Brushed  
Nickel



Matte Black



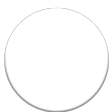
Olive Bronze



Polished  
Chrome



Polished  
Nickel

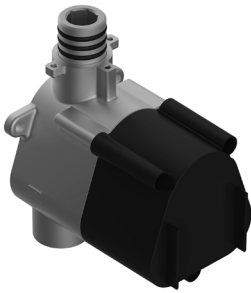


Architectural  
White

# G-8006

M-Series

3/4" Concealed Thermostatic Rough Valve



## Product Features

- 12.9 gpm @ 60 psi
- 3/4" universal inlets
- Built-in service stops
- Stacking outlet feature
- Complete serviceability from front of all units
- Supplied with protective plastic cover
- CalGreen compliant dependent on functions

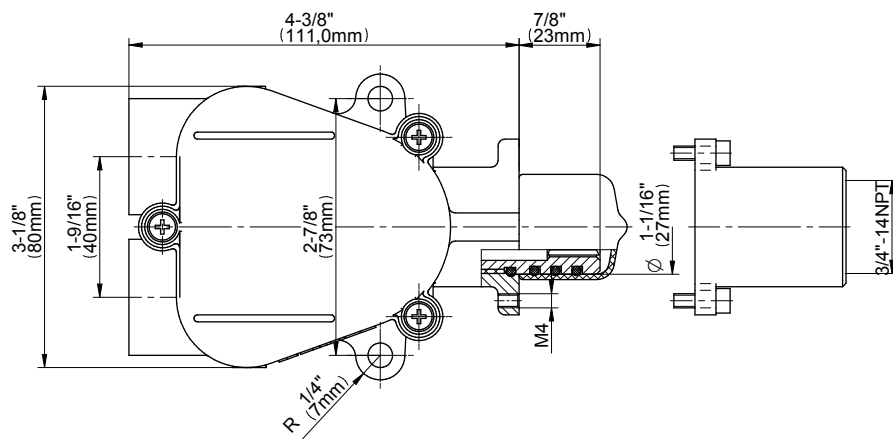
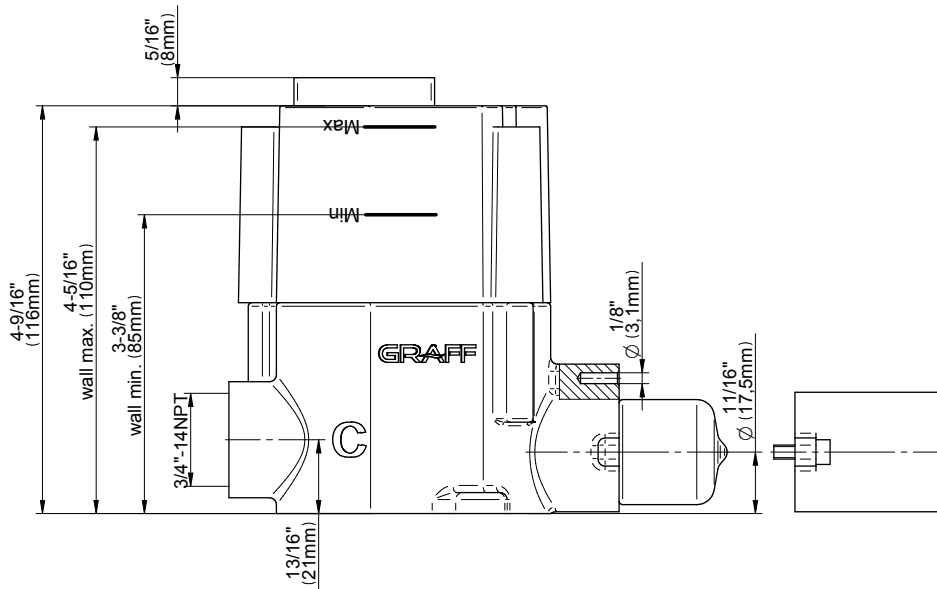
## Code Compliance

- CALGreen

## Warranty

- Limited lifetime warranty

For complete warranty information go to [www.graff-faucets.com/en/info/faqs](http://www.graff-faucets.com/en/info/faqs)



The measurements shown are for reference only. Products and specifications shown are subject to change without notice. Revised 3/2016.

[www.graff-faucets.com](http://www.graff-faucets.com) | phone: 800-954-4723

SHOWER  
Phase M-Series Thermostatic  
Valve Trim with Handle  
**G-8037-LM45E-T**

**GRAFF**<sup>®</sup>



## Information

- Single metal handle
- Decorative trim plate
- Use with G-8006 thermostatic rough valve
- To complete package, you must order rough valve
- ADA

## Finishes



24K Gold



24K Brushed  
Gold



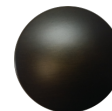
Architectural  
Black™



Brushed  
Nickel



Matte Black



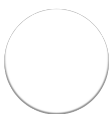
Olive Bronze



Polished  
Chrome



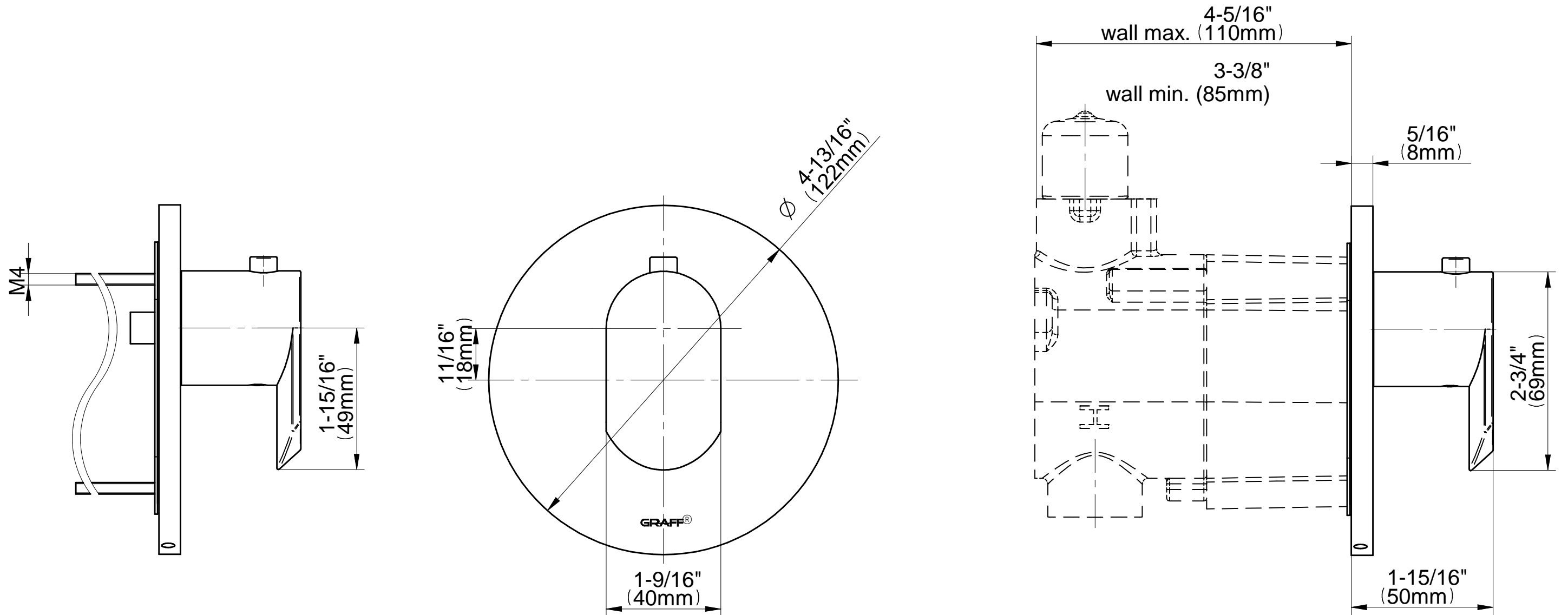
Polished  
Nickel



Architectural  
White

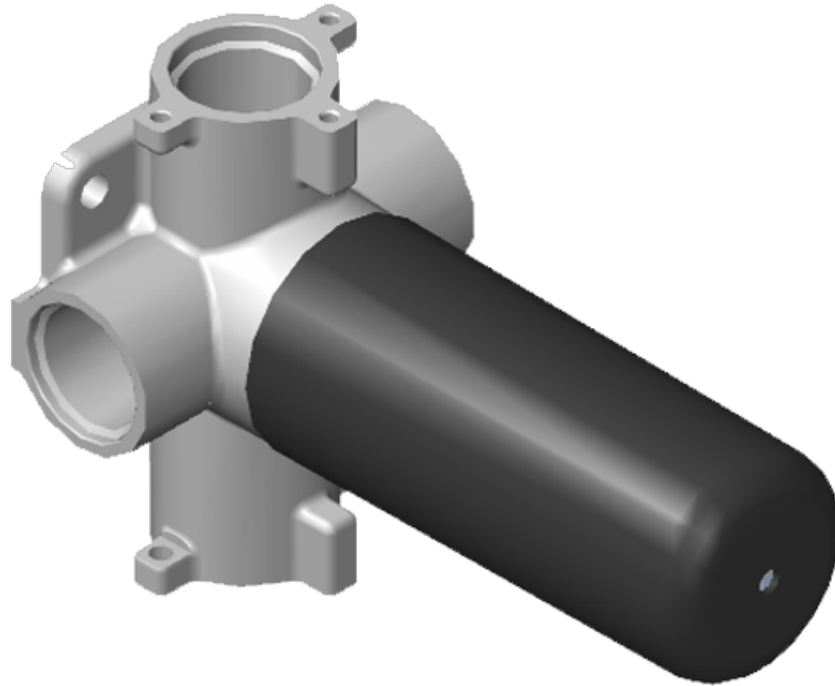
# G-8037-LM45E

## PHASE Series



SHOWER  
Three-Way Diverter Control Valve  
WITH Off Function (No Pass-  
Through)  
**G-8053**

**GRAFF®**



**Information**

- ~11.4 gpm @ 60 psi
- 3/4" universal inlets/outlets with female threads
- Operates one function at a time
- Stacking inlet feature
- Supplied with protective plastic cover
- CALGreen compliant depending on functions

**Finishes**



24K Gold



24K Brushed  
Gold



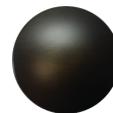
Architectural  
Black™



Brushed  
Nickel



Matte Black



Olive Bronze



Polished  
Chrome



Polished  
Nickel



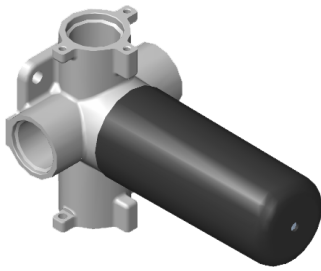
Architectural  
White



# G-8053

M-Series

3-Way Diverter Control Valve WITH Off Function (No Pass-Through)



## Product Features

- 3/4" universal inlets/outlets with female threads
- Stacking inlet feature
- Supplied with protective plastic cover
- CalGreen compliant dependent on functions

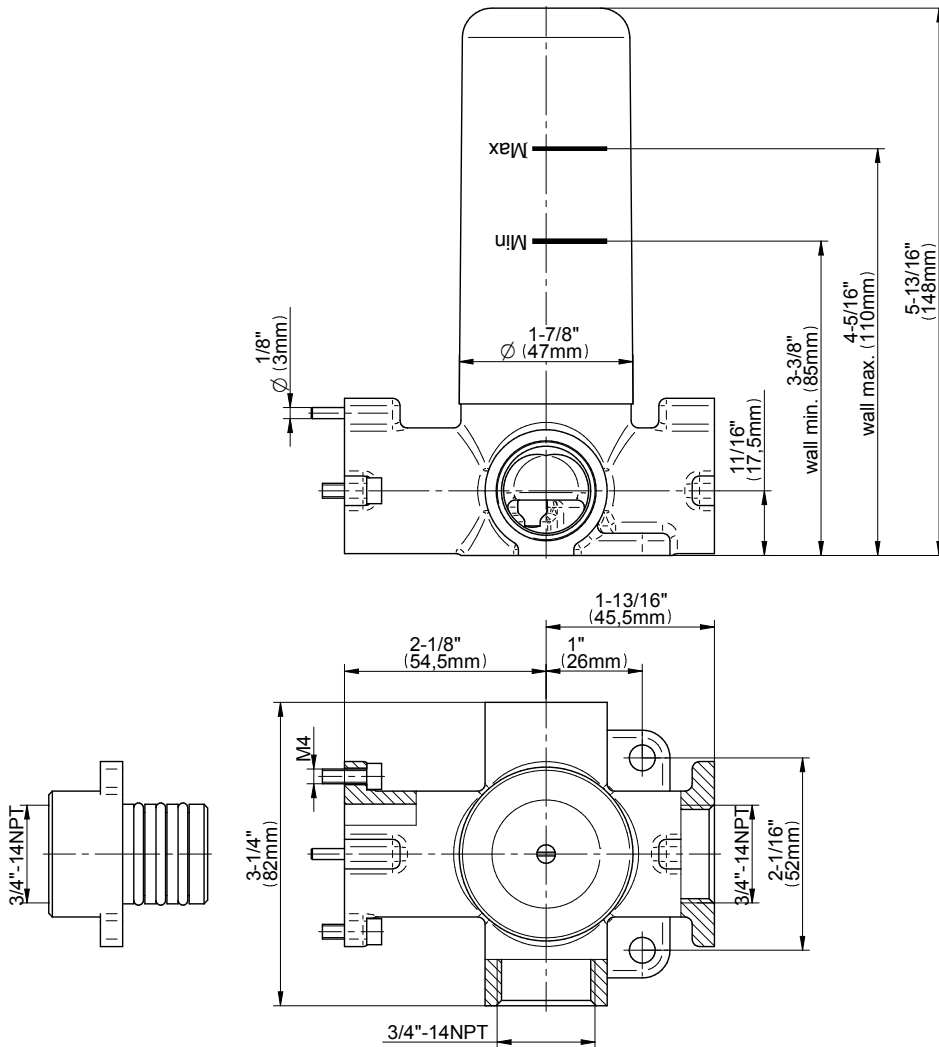
## Code Compliance

- CALGreen

## Warranty

- Limited lifetime warranty

For complete warranty information go to [www.graff-faucets.com/en/info/faqs](http://www.graff-faucets.com/en/info/faqs)



The measurements shown are for reference only. Products and specifications shown are subject to change without notice. Revised 3/2016.

[www.graff-faucets.com](http://www.graff-faucets.com) | phone: 800-954-4723

SHOWER  
Phase 3-Way Diverter Valve Trim  
with Handle  
**G-8069-LM45E1-T**

**GRAFF®**



### Information

- Single metal handle
- Decorative trim plate
- Use with G-8053 3-way diverter control valve WITH off function (no pass-through)
- To complete package, you must order rough valve
- ADA

### Finishes



24K Gold



24K Brushed  
Gold



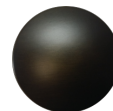
Architectural  
Black™



Brushed  
Nickel



Matte Black



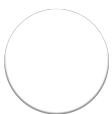
Olive Bronze



Polished  
Chrome



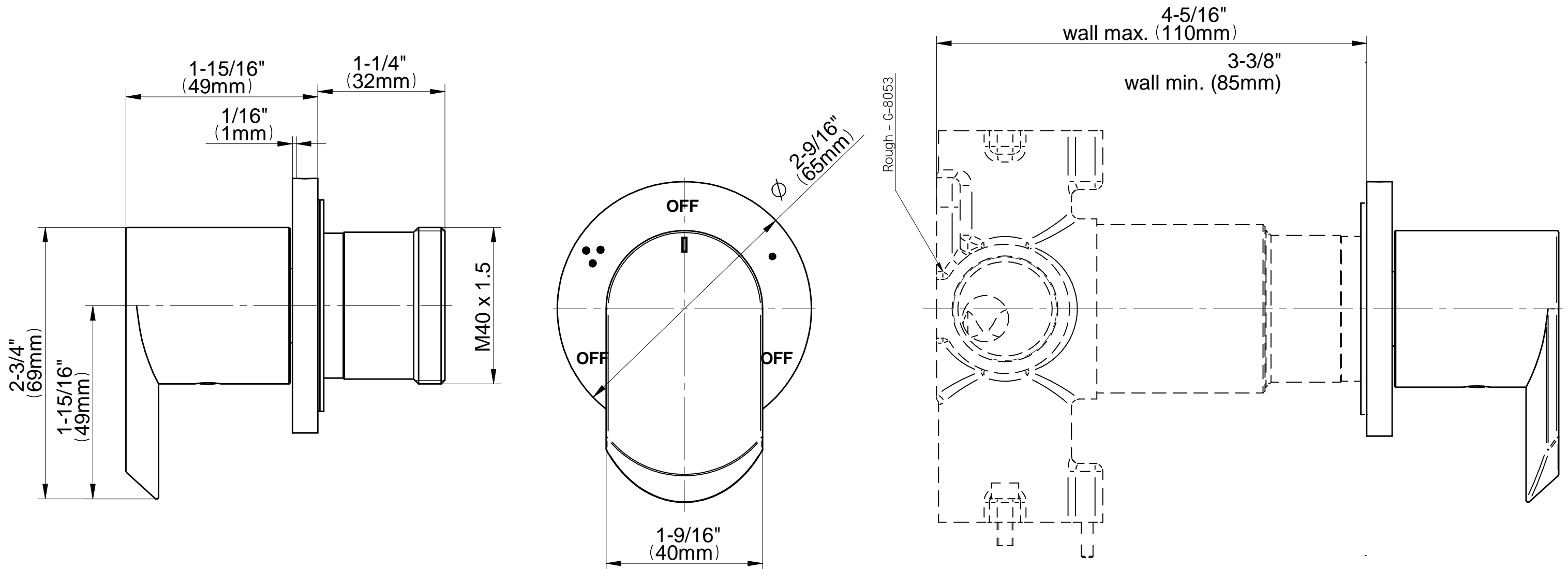
Polished  
Nickel



Architectural  
White

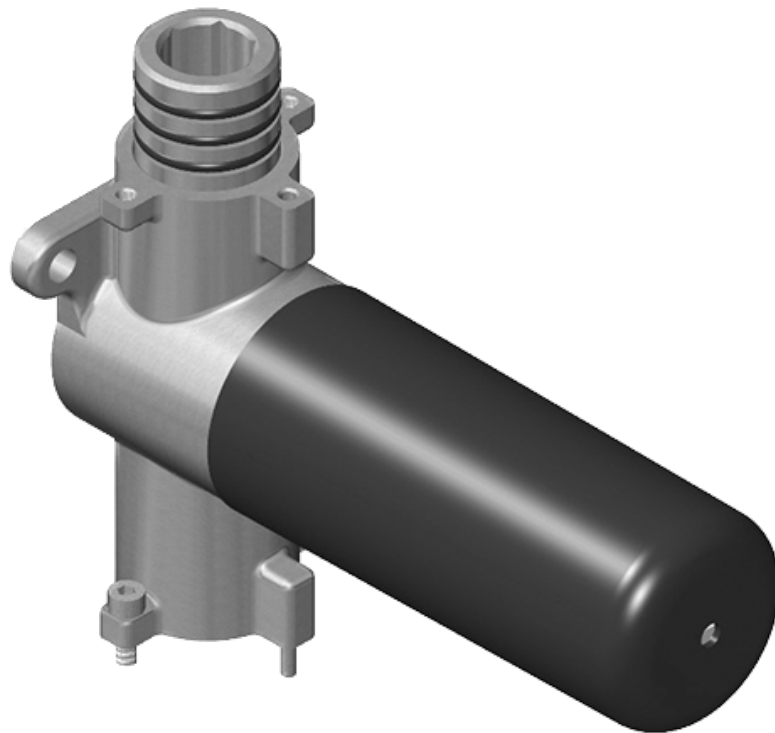
# G-8069-LM45E1

## PHASE Series



SHOWER  
Stop/Volume Control Rough Valve  
**G-8077**

**GRAFF®**



**Information**

- 18.1 gpm @ 60 psi
- 3/4" universal inlets/outlets with female threads
- Stacking inlet and outlet feature
- Supplied with protective plastic cover
- CalGreen compliant dependent on functions

**Finishes**



24K Gold



24K Brushed  
Gold



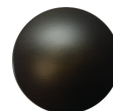
Architectural  
Black™



Brushed  
Nickel



Matte Black



Olive Bronze



Polished  
Chrome



Polished  
Nickel



Architectural  
White

# G-8077

M-Series

Stop/Volume Control Rough Valve



## Product Features

- 3/4" universal inlets/outlets with female threads
- 18.1 gpm @ 60 psi
- Stacking inlet and outlet feature
- Supplied with protective plastic cover
- CalGreen compliant dependent on functions

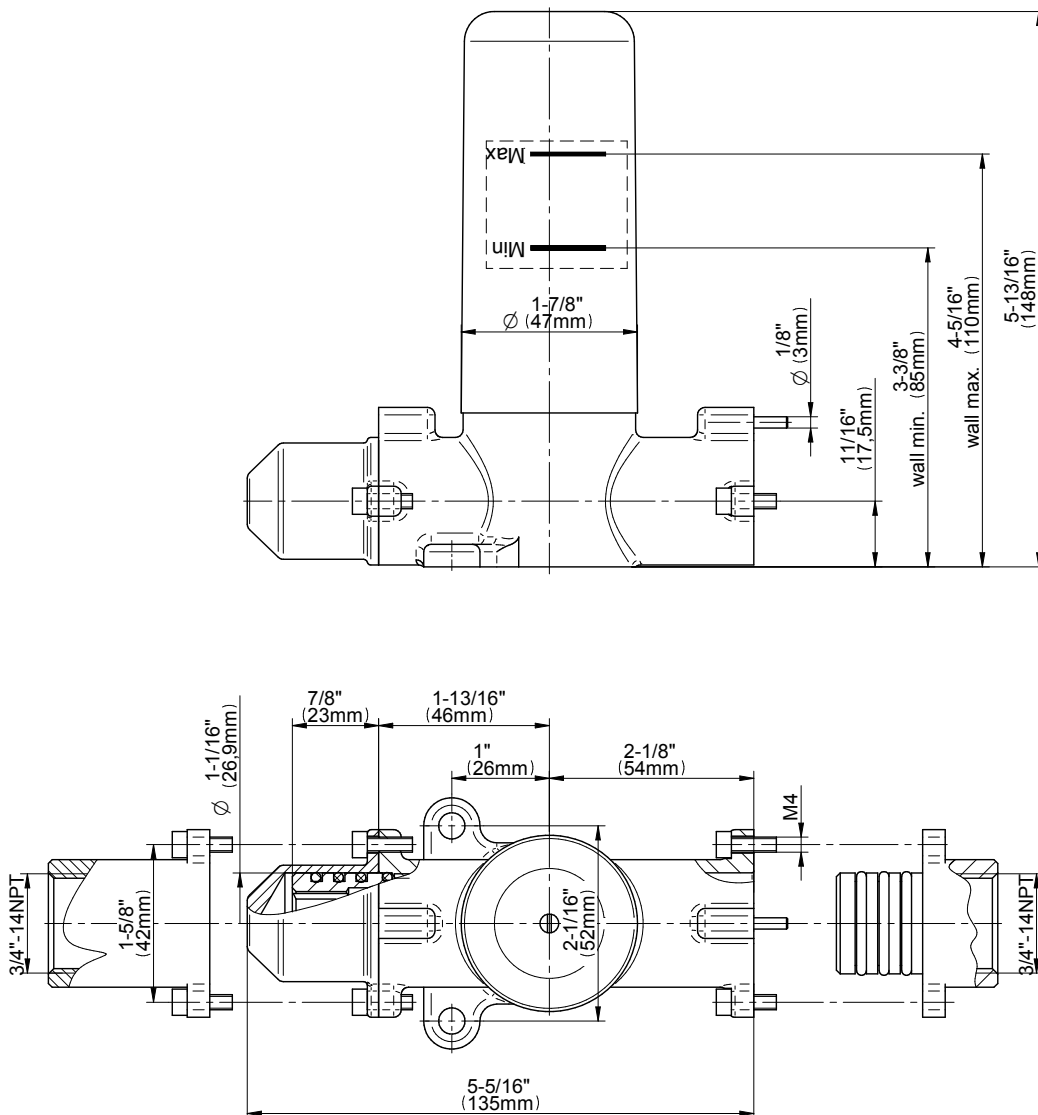
## Code Compliance

- CALGreen

## Warranty

- Limited lifetime warranty

For complete warranty information go to [www.graff-faucets.com/en/info/faqs](http://www.graff-faucets.com/en/info/faqs)



The measurements shown are for reference only. Products and specifications shown are subject to change without notice. Revised 3/2016.

[www.graff-faucets.com](http://www.graff-faucets.com) | phone: 800-954-4723

SHOWER  
Phase M-Series Stop/Volume  
Control Valve Trim with Handle  
**G-8097-LM45E1-T**

**GRAFF®**



## Information

- Single metal handle
- Decorative trim plate
- Use with G-8076 Stop/Volume Control rough valve with Pass-Through or G-8077 Stop/Volume Control rough valve
- To complete package, you must order rough valve
- ADA

## Finishes



24K Gold



24K Brushed  
Gold



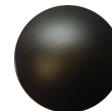
Architectural  
Black™



Brushed  
Nickel



Matte Black



Olive Bronze



Polished  
Chrome



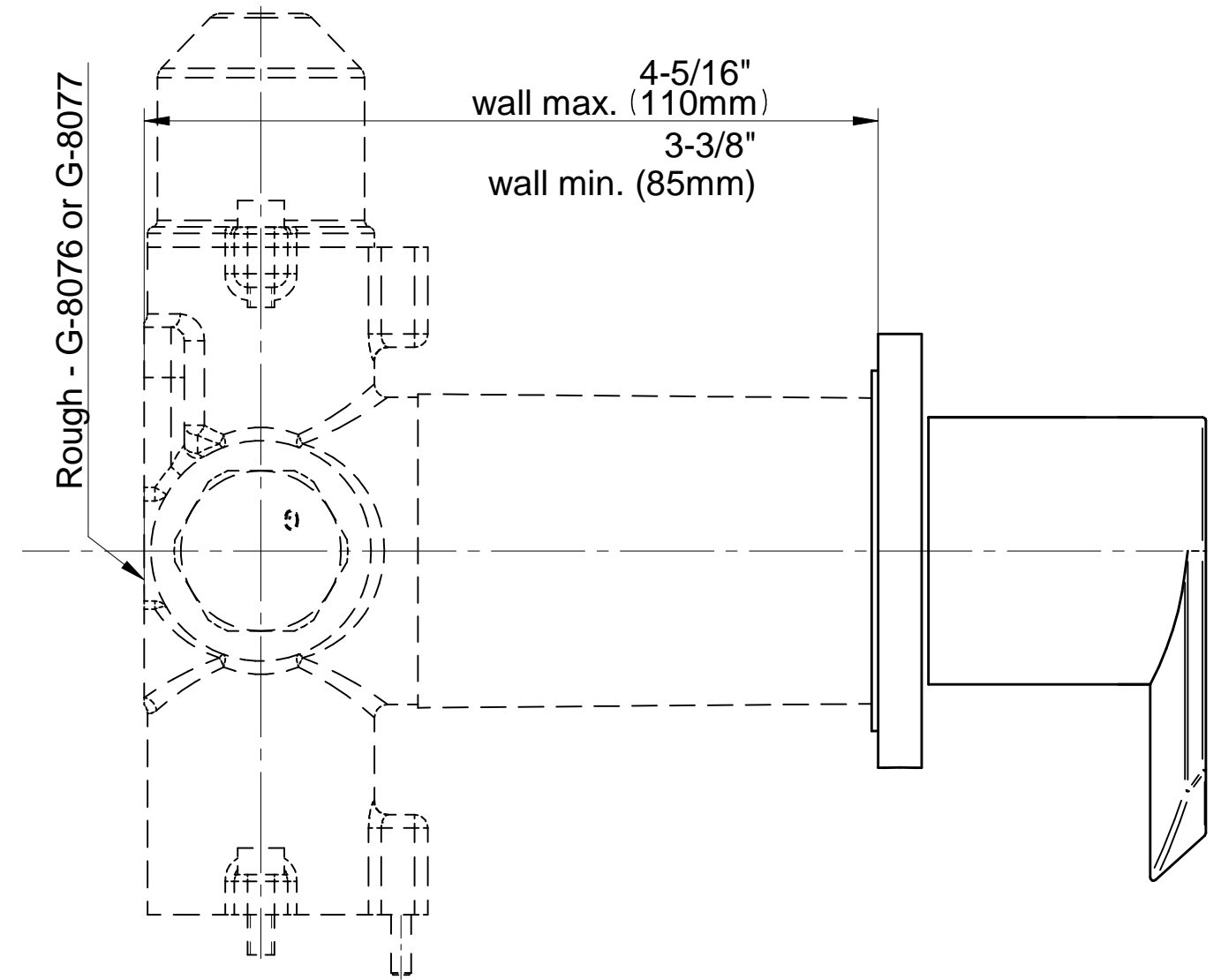
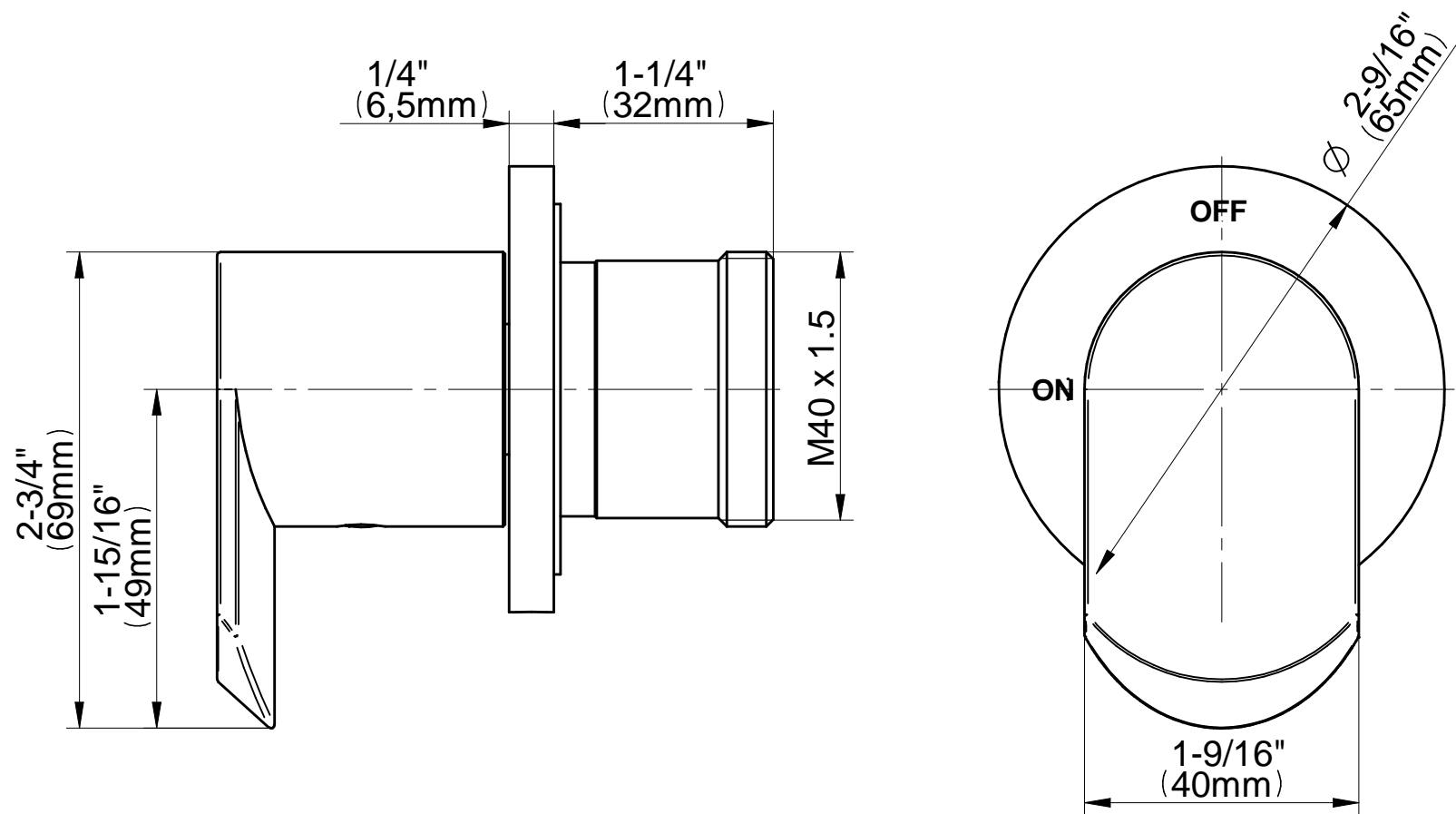
Polished  
Nickel



Architectural  
White

# G-8097-LM45E1

## Phase Series



SHOWER  
8" Round Brass Showerhead  
**G-8449**

**GRAFF**<sup>®</sup>



**Information**

- 1/4" thick
- 169 no-clog, easy-clean rubber spray nozzles
- Recommended use with ceiling shower arm
- Recommended for use at no more than 10 degrees tilt
- Showerhead flow rate  $\leq 1.8$  max gpm
- CALGreen

**Finishes**



24K Gold



24K Brushed  
Gold



Architectural  
Black™



Brushed  
Nickel



Matte Black



Olive Bronze



Polished  
Chrome



Polished  
Nickel



Architectural  
White



# G-8449

Aqua-Sense Collection  
Contemporary 8" Round Showerhead



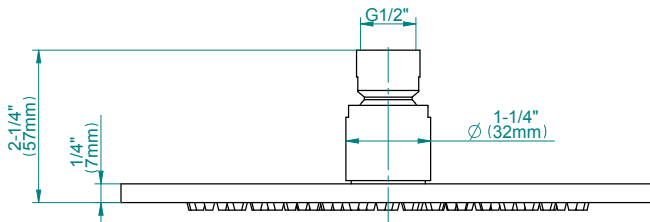
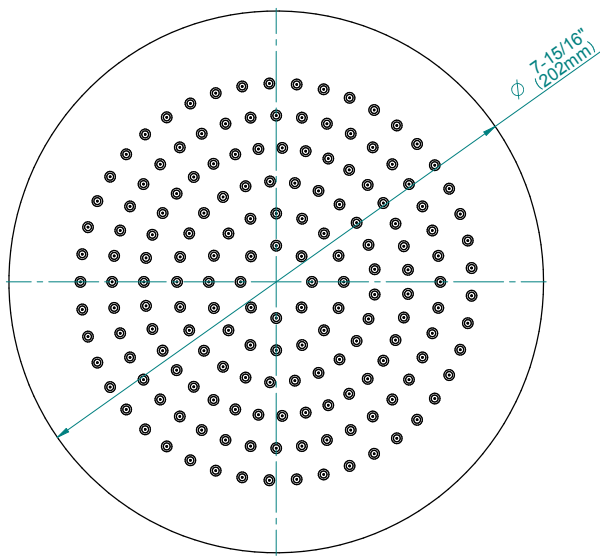
## Product Features

- 1/4" thick
- 169 no-clog, easy-clean rubber spray nozzles
- Showerhead flow rate  $\leq 1.8$  max gpm

## Available Finishes

- Polished Chrome  
G-8449-PC
- Brushed Nickel  
G-8449-PN
- Polished Nickel  
G-8449-BNi
- Unfinished Brass\*  
G-8449-UB\*
- Steinox  
G-8449-SN
- Olive Brass\*  
G-8449-OB\*
- Architectural Black with Chrome Accents\*  
G-8449-PC/BK\*
- Brushed Gold\*  
G-8449-BAU

\* Special order finish- call for availability



## Code Compliance

- CALGreen

## Warranty

- Limited lifetime warranty

For complete warranty information go to [www.graff-designs.com/en-nam/warranty](http://www.graff-designs.com/en-nam/warranty)

The measurements shown are for reference only. Products and specifications shown are subject to change without notice. Revised 12/2017

[www.graff-designs.com](http://www.graff-designs.com) | phone: 800-954-4723

SHOWER  
Contemporary 12" Shower Arm  
**G-8503**

**GRAFF®**



**Information**

- Includes arm and solid round flange
- 1/2" NPT male thread inlet
- For use with all showerheads

**Finishes**



24K Gold



24K Brushed  
Gold



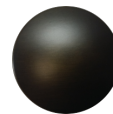
Architectural  
Black™



Brushed  
Nickel



Matte Black



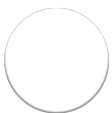
Olive Bronze



Polished  
Chrome



Polished  
Nickel



Architectural  
White

## G-8503

Shower Components

Contemporary 12" Shower Arm

# GRAFF®



### Product Features

- Includes arm and round flange
- 1/2" NPT male thread inlet
- For use with all showerheads

### Warranty

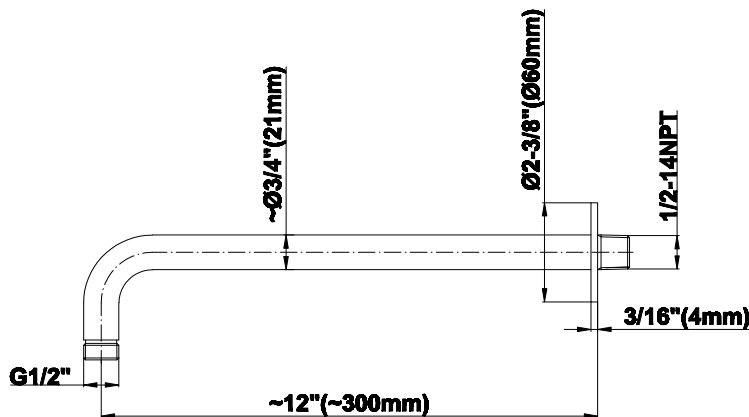
- Limited lifetime warranty

For complete warranty information go to [www.graff-designs.com/en-nam/warranty](http://www.graff-designs.com/en-nam/warranty)

### Available Finishes

- Polished Chrome  
G-8503-PC
- Polished Nickel  
G-8503-PN
- Brushed Nickel  
G-8503-BNi
- Unfinished Brushed Brass\*  
G-8503-UBB\*
- Unfinished Brass\*  
G-8503-UB\*
- Matte Black\*  
G-8503-MBK\*
- Architectural Black\*  
G-8503-BK\*
- Architectural White\*  
G-8503-WT\*
- Steelnox (Satin Nickel)\*  
G-8503-SN\*
- Olive Brass\*  
G-8503-OB\*
- Gunmetal\*  
G-8503-GM\*
- Vintage Brushed Brass\*  
G-8503-VBB\*
- OR'osa PVD\*  
G-8503-RG\*
- Brushed OR'osa PVD\*  
G-8503-BRG\*
- Onyx PVD\*  
G-8503-OX\*
- Brushed Onyx PVD\*  
G-8503-BOX\*
- Polished Brass PVD\*  
G-8503-PB\*
- Brushed Brass PVD\*  
G-8503-BB\*
- 24K Brushed Gold\*  
G-8503-BAU\*
- 24K Gold\*  
G-8503-AU\*
- Gunmetal Distressed\*  
G-8503-GMD\*

\* Special order finish- call for availability



The measurements shown are for reference only. Products and specifications shown are subject to change without notice. Revised 10/2019

[www.graff-designs.com](http://www.graff-designs.com) | phone: 800-954-4723

SHOWER  
59" Shower Hose  
**G-8605**

**GRAFF**<sup>®</sup>



**Information**

- Brass spiral flexible hose with conical nut

**Finishes**



24K Gold



24K Brushed  
Gold



Architectural  
Black™



Brushed  
Nickel



Matte Black



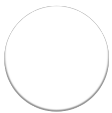
Olive Bronze



Polished  
Chrome



Polished  
Nickel



Architectural  
White



### Product Features

- Brass spiral flexible hose with conical nut

### Warranty

- Limited lifetime warranty

For complete warranty information go to [www.graff-designs.com/en-nam/warranty](http://www.graff-designs.com/en-nam/warranty)

### Available Finishes

- Polished Chrome  
G-8605-PC
- Polished Nickel  
G-8605-PN
- Brushed Nickel  
G-8605-BNi
- Unfinished Brushed Brass\*  
G-8605-UBB\*
- Unfinished Brass\*  
G-8605-UB\*
- Matte Black\*  
G-8605-MBK\*
- Architectural Black\*  
G-8605-BK\*
- Architectural White\*  
G-8605-WT\*
- Olive Brass\*  
G-8605-OB\*
- Gunmetal\*  
G-8605-GM\*
- Vintage Brushed Brass\*  
G-8605-VBB\*
- Steelnox (Satin Nickel)  
G-8605-SN
- 24K Brushed Gold\*  
G-8605-BAU\*
- 24K Gold\*  
G-8605-AU\*
- Gunmetal Distressed\*  
G-8605-GMD\*

\* Special order finish- call for availability



SHOWER  
Contemporary Round Wall Supply  
Elbow  
**G-8613**

**GRAFF®**



**Information**

- 1/2" NPT female thread inlet

**Finishes**



24K Gold



24K Brushed  
Gold



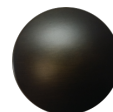
Architectural  
Black™



Brushed  
Nickel



Matte Black



Olive Bronze



Polished  
Chrome



Polished  
Nickel



Architectural  
White

# G-8613

## Shower Components

### Contemporary Round Wall Supply Elbow



#### Product Features

- 1/2" NPT female thread inlet

#### Warranty

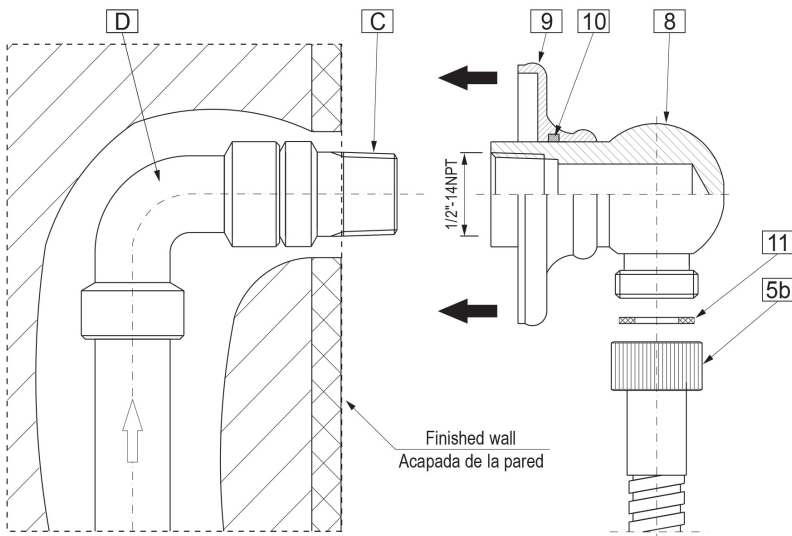
- Limited lifetime warranty

For complete warranty information go to [www.graff-designs.com/en-nam/warranty](http://www.graff-designs.com/en-nam/warranty)

#### Available Finishes

- Polished Chrome  
G-8613-PC
- Polished Nickel  
G-8613-PN
- Brushed Nickel  
G-8613-BNi
- Unfinished Brushed Brass\*  
G-8613-UBB\*
- Unfinished Brass\*  
G-8613-UB\*
- Matte Black\*  
G-8613-MBK\*
- Architectural Black\*  
G-8613-BK\*
- Architectural White\*  
G-8613-WT\*
- Steinox (Satin Nickel)  
G-8613-SN
- Olive Brass\*  
G-8613-OB\*
- Gunmetal\*  
G-8613-GM\*
- Vintage Brushed Brass\*  
G-8613-VBB\*
- OR'osa PVD\*  
G-8613-RG\*
- Brushed OR'osa PVD\*  
G-8613-BRG\*
- Onyx PVD\*  
G-8613-OX\*
- Brushed Onyx PVD\*  
G-8613-BOX\*
- Polished Brass PVD\*  
G-8613-PB\*
- Brushed Brass PVD\*  
G-8613-BB\*
- 24K Brushed Gold\*  
G-8613-BAU\*
- 24K Gold\*  
G-8613-AU\*
- Gunmetal Distressed\*  
G-8613-GMD\*

\* Special order finish- call for availability



The measurements shown are for reference only. Products and specifications shown are subject to change without notice. Revised 12/2019

[www.graff-designs.com](http://www.graff-designs.com) | phone: 800-954-4723

SHOWER  
Contemporary Wall-Mounted Slide  
Bar  
**G-8641**

**GRAFF**<sup>®</sup>



**Information**

- 27 1/4" tall wall-mounted slide bar
- Adjustable bracket fits all hoses with conical nut

**Finishes**



24K Gold



24K Brushed  
Gold



Architectural  
Black™



Brushed  
Nickel



Matte Black



Olive Bronze



Polished  
Chrome



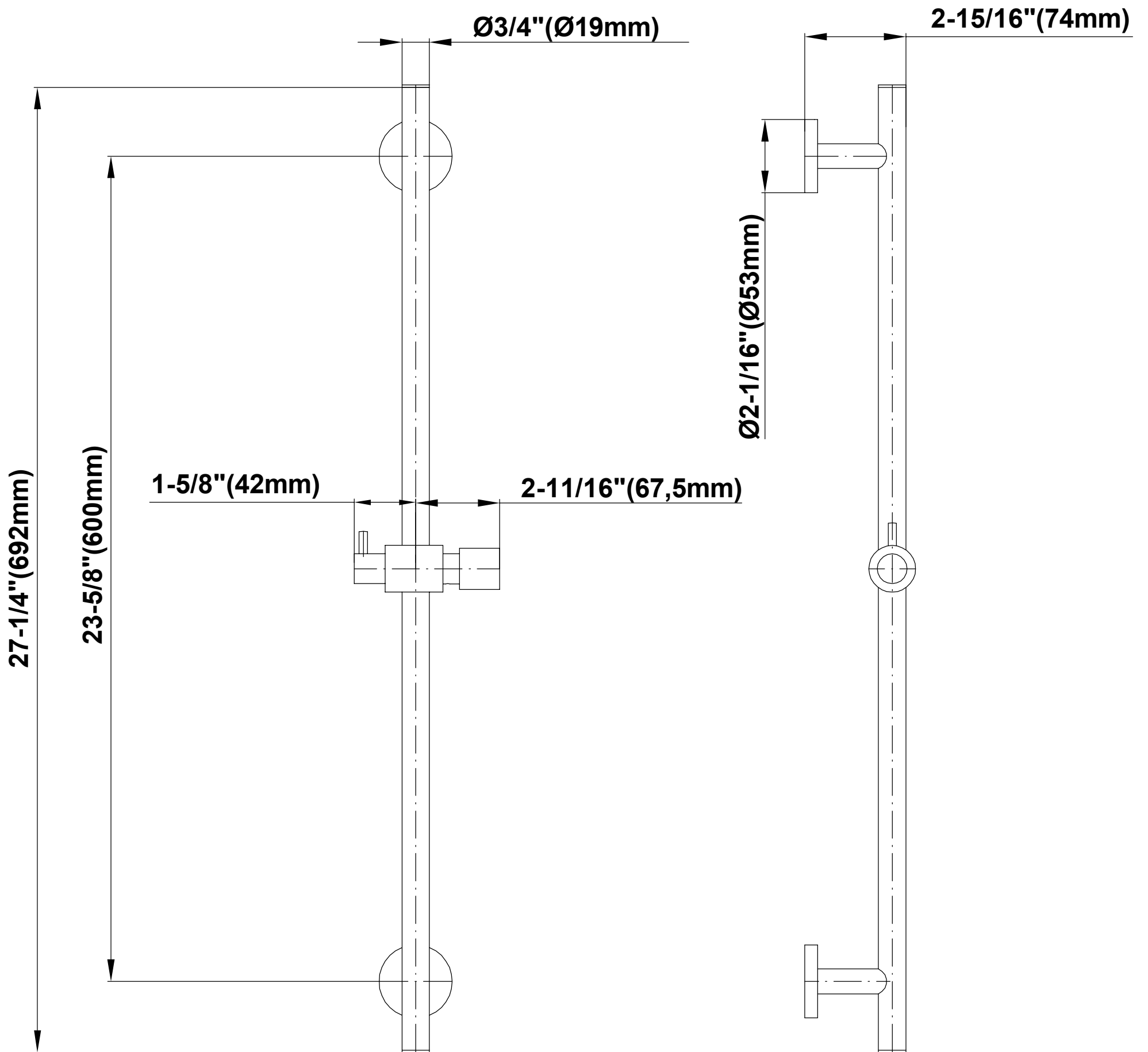
Polished  
Nickel



Architectural  
White



# G - 864 1



SHOWER  
Contemporary Round Handshower  
**G-8714**

**GRAFF**<sup>®</sup>



**Information**

- Solid brass construction
- Smooth, all-metal handle
- Shower hose not included
- Handshower flow rate  $\leq 1.5$  max gpm
- CALGreen

**Finishes**



24K Gold



24K Brushed  
Gold



Architectural  
Black™



Brushed  
Nickel



Matte Black



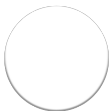
Olive Bronze



Polished  
Chrome



Polished  
Nickel



Architectural  
White

# G-8714

## Contemporary Round Handshower



### Product Features

- Solid brass construction
- Smooth, all-metal handle
- Aerated flow rate  $\leq 1.5$  max gpm
- Shower hose not included

### Code Compliance

- CalGreen compliant

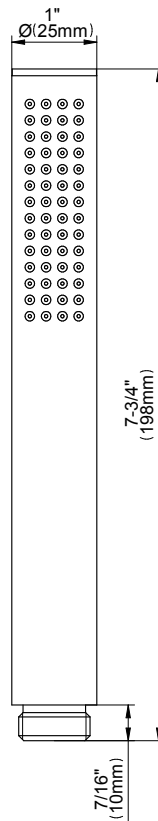
### Available Finishes

- Polished Chrome  
G-8714-PC
- Brushed Nickel  
G-8714-BNi
- Polished Nickel  
G-8714-PN
- Steelnox<sup>®</sup>  
G-8714-SN
- Olive Bronze<sup>™</sup>  
G-8714-OB
- Architectural Black<sup>™</sup>  
G-8714-BK
- Architectural White  
G-8714-WT

### Warranty

- Limited lifetime warranty

For complete warranty information go to  
<http://www.graff-faucets.com/en/info/faqs>



The measurements shown are for reference only. Products and specifications shown are subject to change without notice. Revised 02/2017.

[www.graff-faucets.com](http://www.graff-faucets.com) | phone: 800-954-4723