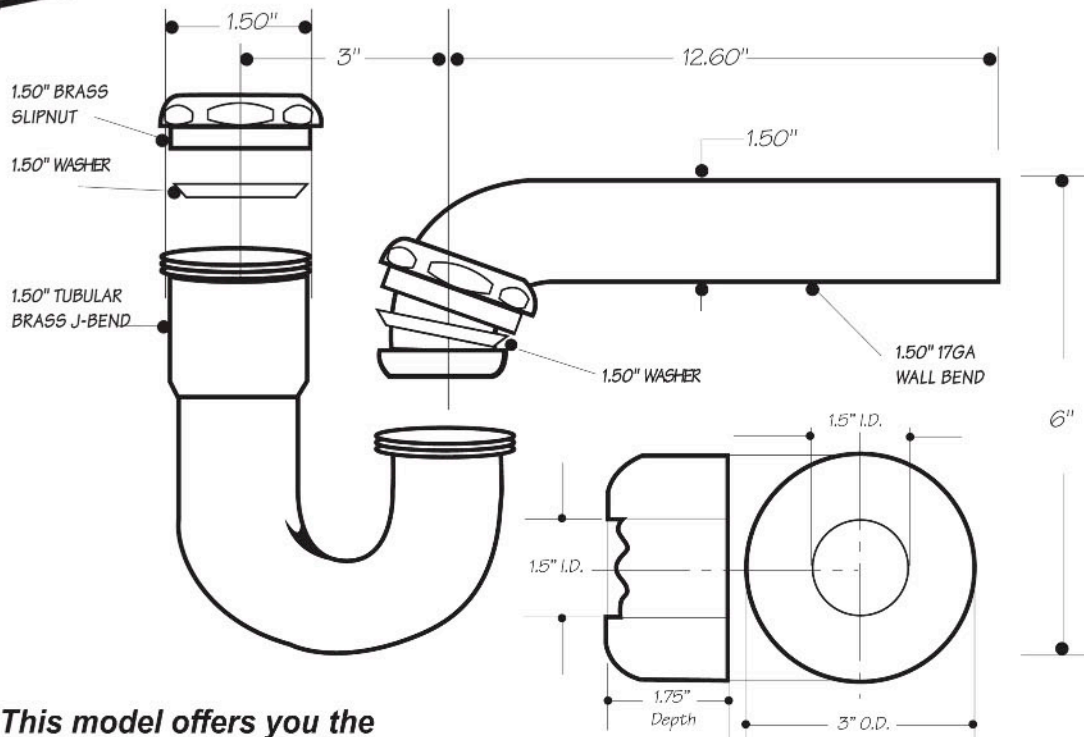


INSTALLATION DIMENSIONS



This model offers you the following features & benefits:

- 1-1/2" inlet and 1-1/2" outlet
- Can be used for exposed Installations
- With Flange MT313X
- 1-1/2" I.D. fits over P-Trap waste arm
- For 1-1/2" P-Trap application

Warranty

*ALL MOUNTAIN PRODUCTS CARRY A 1 YEAR WARRANTY ON ALL WORKING PARTS. (except disposers)

*MOST SPECIAL FINISHES HAVE A 1 YEAR WARRANTY IF INSTRUCTIONS ARE FOLLOWED PROPERLY. ORB, EB, MHB, WCP, AND TB HAVE A 90 DAY WARRANTY IF INSTRUCTIONS ARE FOLLOWED PROPERLY.

*ALL PVD FINISHES COME WITH A LIFETIME WARRANTY IF INSTRUCTIONS ARE FOLLOWED PROPERLY

*ALL XENOY COLORED PRODUCTS HAVE A LIFETIME WARRANTY

*USE OF PLUMBERS PUTTY ON PRODUCTS VOIDS WARRANTY

- Available in 21 finishes
- CPB - Polished Chrome
- SC - Satin Chrome
- PN - Polished Nickel
- BRN - Brushed Nickel
- PEW - Pewter
- PRN - Pearl Nickel
- AB - Antique Brass
- SB - Satin Brass
- PVD - Polished Brass
- WB - Weathered Brass
- WCP - Weathered Copper
- ACP - Antique Copper
- PCP - Polished Copper
- ORB - Oil Rubbed Bronze
- VB - Venetian Bronze*
- PVDDB - Brushed Bronze
- TB - Tuscan Brass
- MB - Matte Black
- FG - French Gold
- GPB - Polished Gold
- SG - Satin Gold

Specifications subject to change without notice.