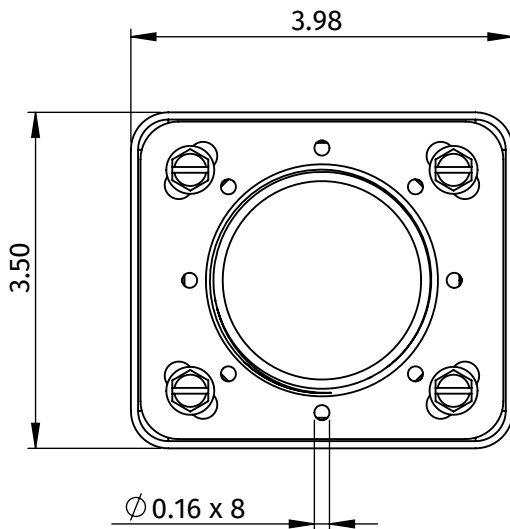


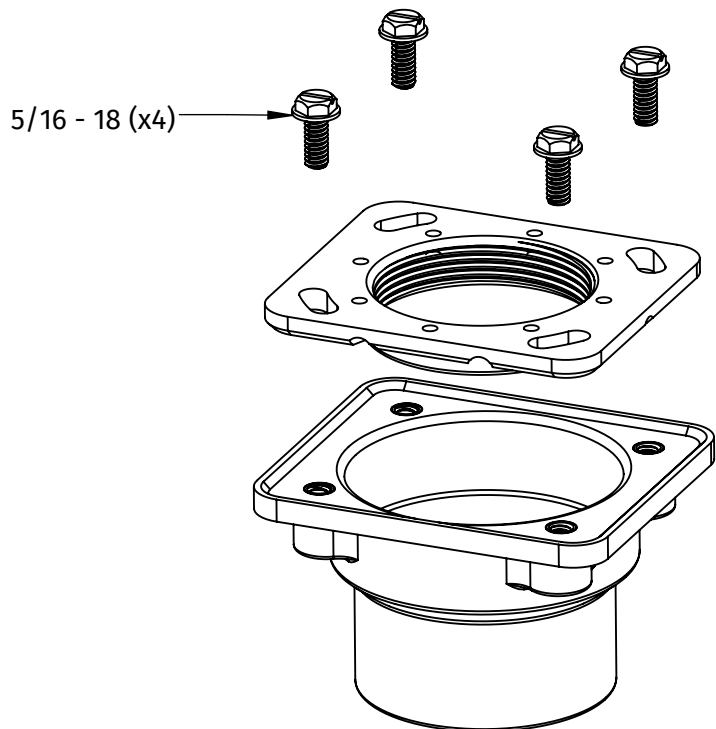
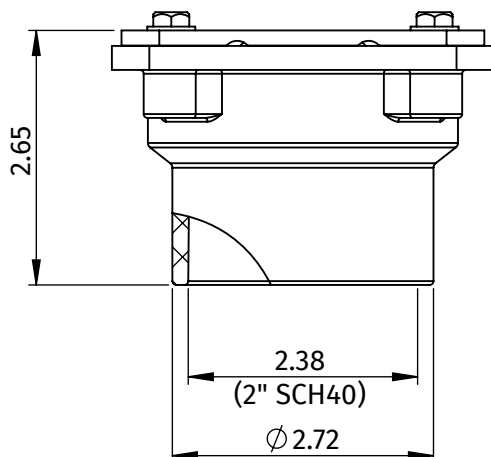
# MT501P-ROUGH MT501A-ROUGH

## PVC/ABS RECTANGULAR SHOWER DRAIN ROUGH

### SPECIFICATION SHEET



- 4" x 3 - 1/2" x 2 - 3/4" OVERALL DIMENSIONS
- FITS SHOWER DRAINS WITH 2" IPS THREAD
- MT501P = PVC, MT501A = ABS
- 2" SCH40 OUTLET CONNECTION
- ALLOWS INSTALLATION OF LINEAR DRAINS IN CLOSE PROXIMITY TO WALL
- HAS WEEP HOLES



#### WARRANTY

FOR WARRANTY INFO PLEASE VISIT [WWW.MOUNTAINPLUMBING.COM/PAGE/RESOURCES/WARRANTY](http://WWW.MOUNTAINPLUMBING.COM/PAGE/RESOURCES/WARRANTY)

#### FINISH CARE & MAINTENANCE

NEVER USE ANY HARSH ALKALI, ACID BASED DETERGENTS OR CLEANERS SUCH AS SOFT SCRUB®, SCRUBBING BUBBLES® OR COMET® TO CLEAN. DO NOT USE BRILLO® OR SCOTCH BRITE® PADS. THESE WILL ALL HARM THE FINISH. TO CLEAN, USE ONLY A DAMP SOFT CLOTH AND WIPE GENTLY. STANDARD WINDEX® CAN ALSO BE USED SPARINGLY. IT IS NOT NECESSARY TO WIPE HARD TO REMOVE SPOTS. TO MAINTAIN THE FINISH, WIPE WITH A SOFT DRY CLOTH AFTER USE. AN OCCASIONAL COAT OF PURE CARNAUBA WAX WITHOUT CLEANERS WILL HELP PROTECT THE FINISH.

SPECIFICATIONS SUBJECT TO CHANGE WITHOUT NOTICE