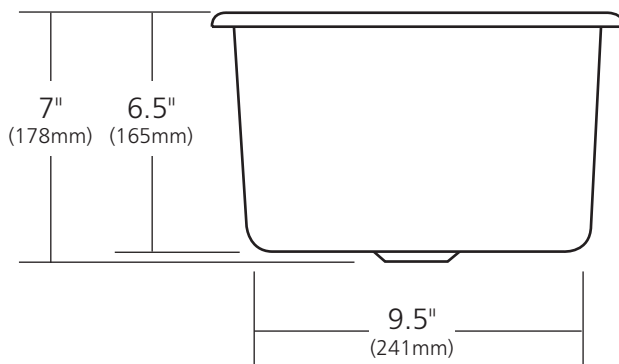
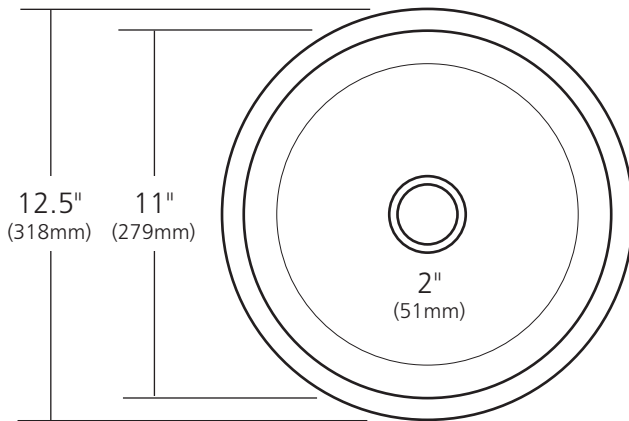


SPECIFICATIONS

DIEGO



CPS235- Antique
CPS535- Brushed Nickel

PRODUCT DETAILS

- 12.5" x 7" OD (318mm x 178mm)
- 11" x 6.5" ID (279mm x 165mm)
- Hand hammered 16 gauge recycled copper
- 2" (51mm) drain opening
- Dimensions are not exact and may vary $\pm 1/2"$ (13mm)

*This product may be customized.
See nativetrails.net/customization for details.*

INSTALLATION

- Universal Mount

COORDINATING PRODUCTS

- Drains: DR220
- MetalProtect™

STANDARDS COMPLIANCE

- UPC/cUPC compliant

IMPORTANT

Due to the handcrafted nature of this product, it will vary in finish, texture, hammering, and other details. Dimensions may vary up to 1/2" (13mm). We strongly recommend waiting for the actual product before making any installation cuts.