



DESCRIPTION:

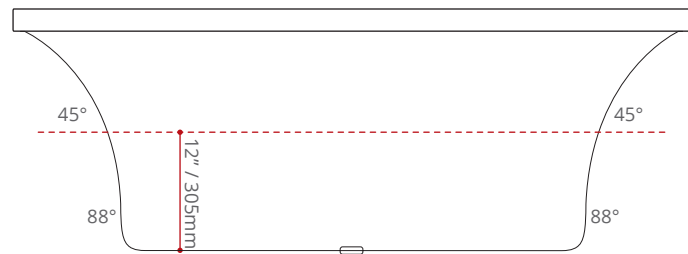
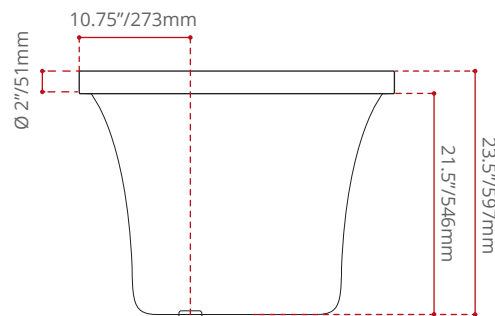
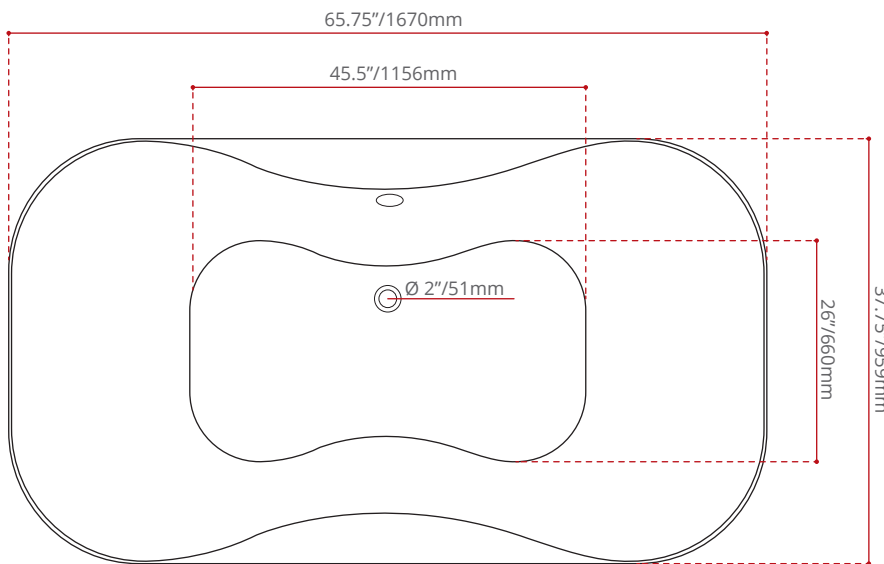
- Contemporary Style
- High gloss / Crack-resistant acrylic.
- Made in Canada.
- Complies with CSA & IAPMO standards.

AVAILABLE OPTIONS:

- Biscuit & Black Colour. ○ ●
- Textured Bottom.

JETTING OPTIONS:

- Lateral Air jets.
- Air illusion jets.
- Filler air jets.
- Square zen jets.
- Neck-Jet massage system.
- Whirlpool jets.
- VIGOR +
- Chromatherapy.
- Aromatherapy.
- Comfort Warm



WATER DEPTH

17\"/>

TUB CAPACITY

131 gal.
498 litres of water

SHIPPING DIMENSIONS

68 x 40 x 26\"/>

NET WEIGHT

30 kg / 66 lbs

GROSS WEIGHT

31 kg / 68 lbs

Measurements may vary ± 5mm
- Diagram NOT to scale -

