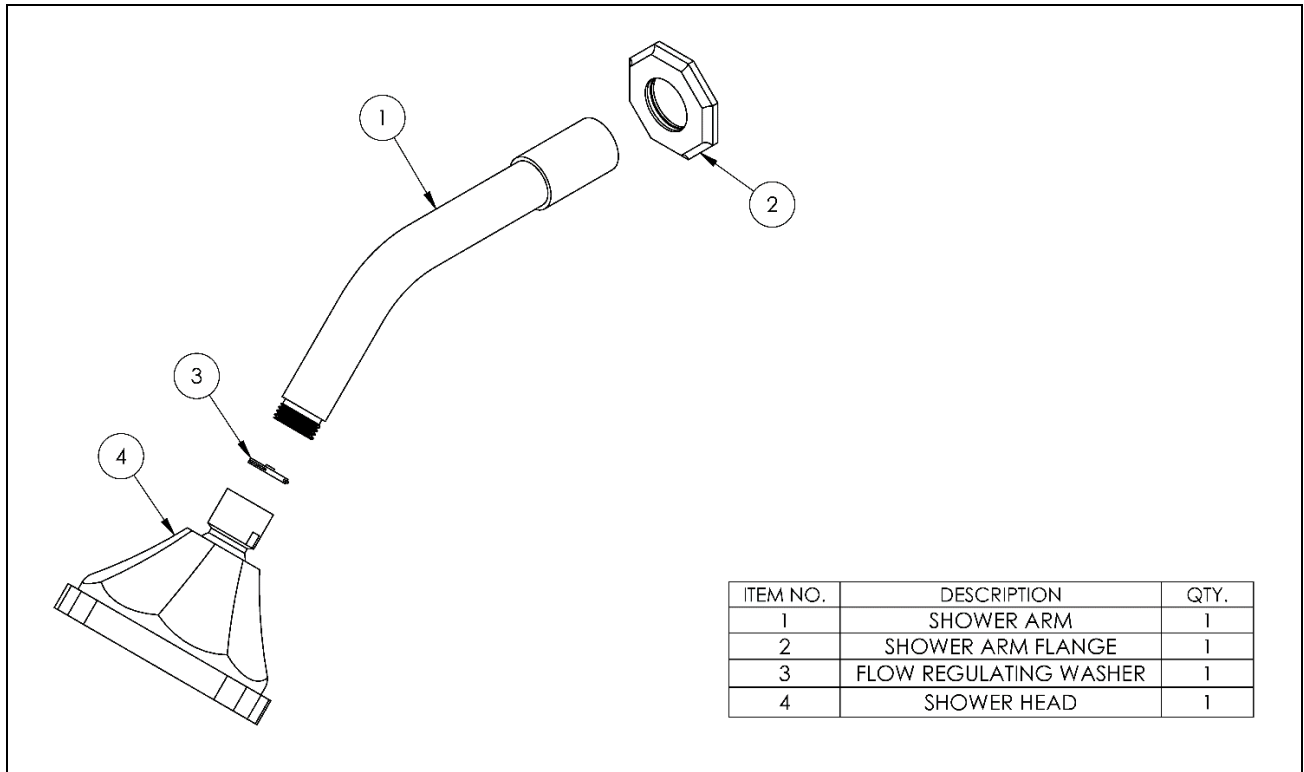
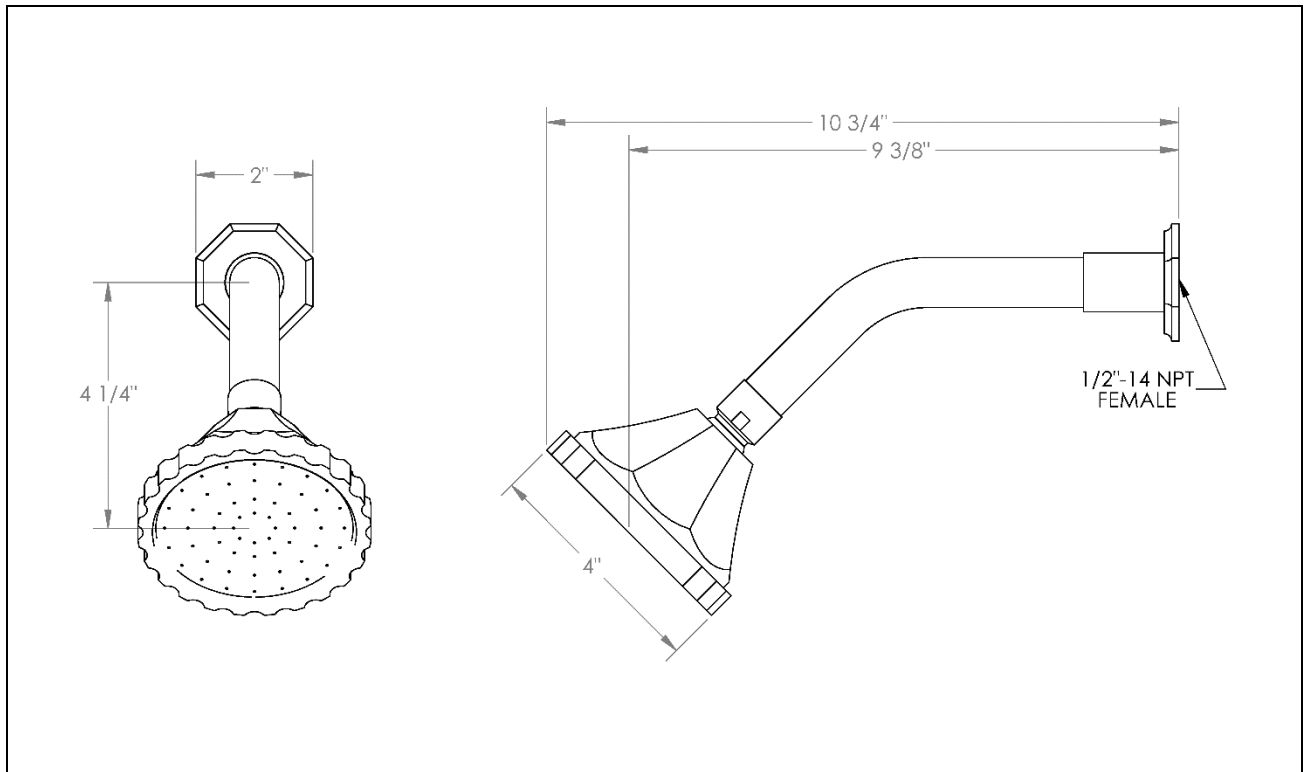


Exploded View



Dimensions



Installation Instructions

1. A well-supported 1/2" NPT elbow with nipple is required in the wall prior to installation.
2. Hole in the wall should be at least $\text{Ø}1\text{-}1/8\text{'}$ to fit the back of the **shower arm** (1).
3. Thread the shower arm onto the nipple. Use a strap wrench or soft jaw pliers if necessary.
4. Flush the shower arm and check for leaks.
5. Slide the **shower arm flange** (2) against the wall. If desired, a bead of silicone sealant may be applied in between the wall and flange.
6. Thread the **shower head** (4) onto the shower arm. Hand tighten to avoid damaging the **flow regulating washer** (3).

IMPORTANT INSTALLATION INFORMATION

- Use Teflon tape or pipe sealant for threaded connections.
- Do NOT use Plumber's Putty on any of the brass components.
This will cause the finish to tarnish and void the warranty. A non-corrosive alkoxy silicone is recommended.
- Copper adapters may be required to complete your installation.
- Refer to maintenance guide for finish care instructions.

For technical support, please call 718-257-2800