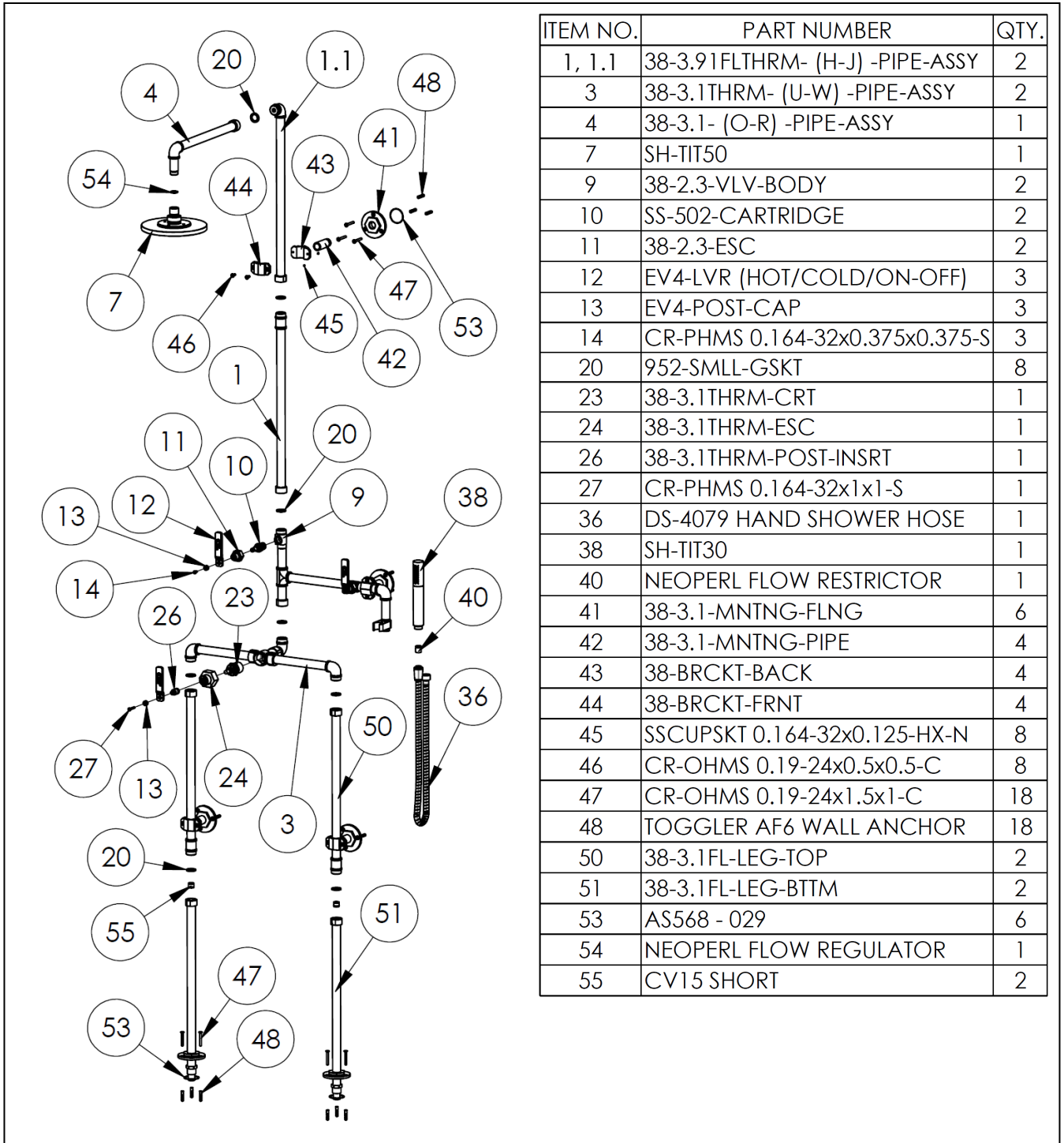
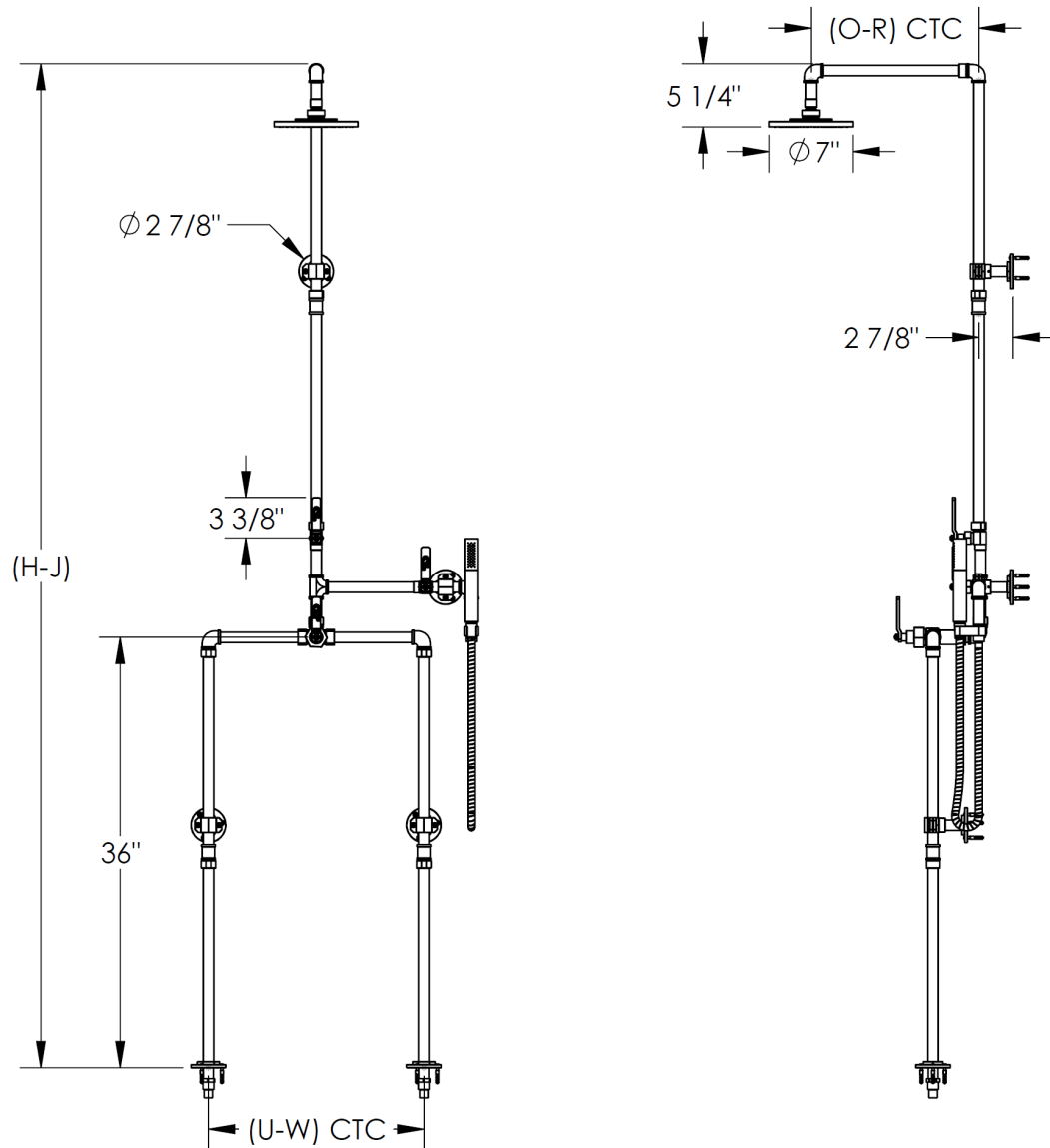


FEATURES

- Shower flow rate: 2 gpm
- Some systems may require a remote pressure balance valve
- Warranty:
 - Limited lifetime warranty (residential use)
 - One year (commercial use)
- Solid Brass Construction
- Standard finishes:
 - polished chrome
 - satin nickel
 - polished nickel
 - rustic brass



ITEM NO.	PART NUMBER	QTY.
1, 1.1	38-3.91FLTHRM- (H-J) -PIPE-ASSY	2
3	38-3.1THRM- (U-W) -PIPE-ASSY	2
4	38-3.1- (O-R) -PIPE-ASSY	1
7	SH-TIT50	1
9	38-2.3-VLV-BODY	2
10	SS-502-CARTRIDGE	2
11	38-2.3-ESC	2
12	EV4-LVR (HOT/COLD/ON-OFF)	3
13	EV4-POST-CAP	3
14	CR-PHMS 0.164-32x0.375x0.375-S	3
20	952-SMLL-GSKT	8
23	38-3.1THRM-CRT	1
24	38-3.1THRM-ESC	1
26	38-3.1THRM-POST-INSRT	1
27	CR-PHMS 0.164-32x1x1-S	1
36	DS-4079 HAND SHOWER HOSE	1
38	SH-TIT30	1
40	NEOPERL FLOW RESTRICTOR	1
41	38-3.1-MNTNG-FLNG	6
42	38-3.1-MNTNG-PIPE	4
43	38-BRCKT-BACK	4
44	38-BRCKT-FRNT	4
45	SSCUPSKT 0.164-32x0.125-HX-N	8
46	CR-OHMS 0.19-24x0.5x0.5-C	8
47	CR-OHMS 0.19-24x1.5x1-C	18
48	TOGLER AF6 WALL ANCHOR	18
50	38-3.1FL-LEG-TOP	2
51	38-3.1FL-LEG-BTTM	2
53	AS568 - 029	6
54	NEOPERL FLOW REGULATOR	1
55	CV15 SHORT	2



H=84"
I=90"
J=96"

O=12"
P=14"
Q=16"
R=18"

U=8"
V=12"
W=18"

IMPORTANT INSTALLATION INFORMATION

- USE TEFLON TAPE OR PIPE SEALANT FOR THREADED CONNECTIONS
- DO NOT USE PLUMBER'S PUTTY ON ANY OF THE BRASS COMPONENTS
This will cause the finish to tarnish and void the warranty. A non-corrosive Alkoxy Silicone is recommended.
- DURING SWEATING OF LINES DO NOT OVERHEAT CASTING
Overheating may cause damage to internal mechanism
- COPPER ADAPTORS MAY BE REQUIRED TO COMPLETE YOUR INSTALLATION

For technical support, please call 718-257-2800