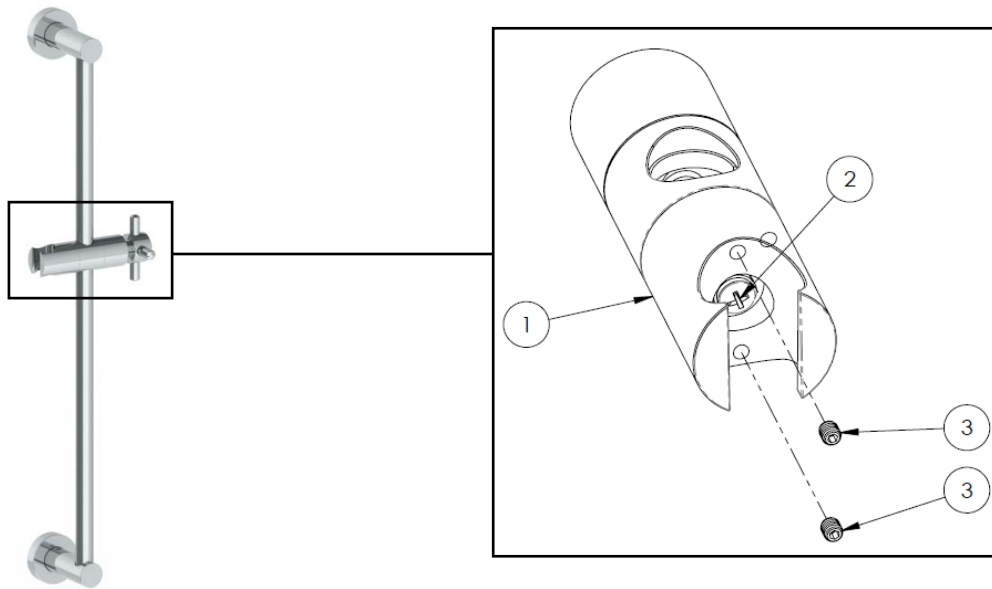


To adjust the stiffness of the positioning bar slider (1), you will need a 5/64" allen wrench. To increase the stiffness of the positioning bar slider (1), turn each set screw (3) clockwise in ¼ turn increments until the desired stiffness is achieved.



To decrease the stiffness of the positioning bar slider (1), turn each set screw (3) counter clockwise in ¼ turn increments until the desired stiffness is achieved.

It's important that only the set screws (3) are being adjusted to regulate the stiffness of the positioning bar slider. NOTE: The middle support screw (2) should NOT be adjusted or touched during the regulation of stiffness of the positioning bar slider.

