

**125-4.4-**

Wall Mounted Bidet Spray Set with Progressive Mixer and 49" Hose

Requires SS-SHV1.2 concealed rough

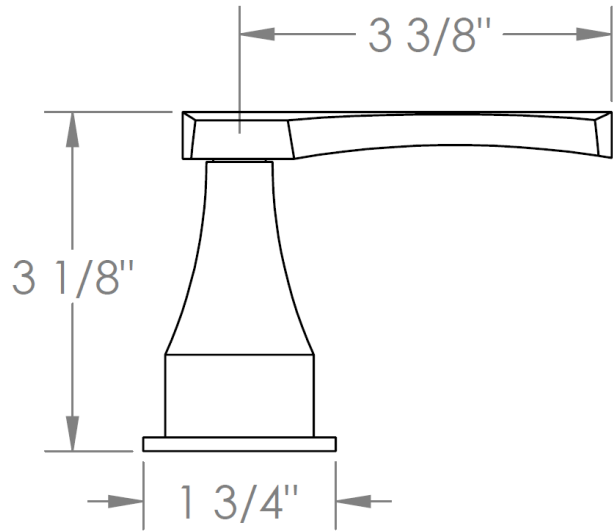
Note: Some building codes require backflow preventers installed in the supply lines



Meets the applicable requirements of ASME A112.18.1-2005/CSA B125.1-05, entitled "Plumbing Supply Fittings"

HANDLE TRIM OPTIONS

BG4 - JOYCE



BG5 - MARKET

