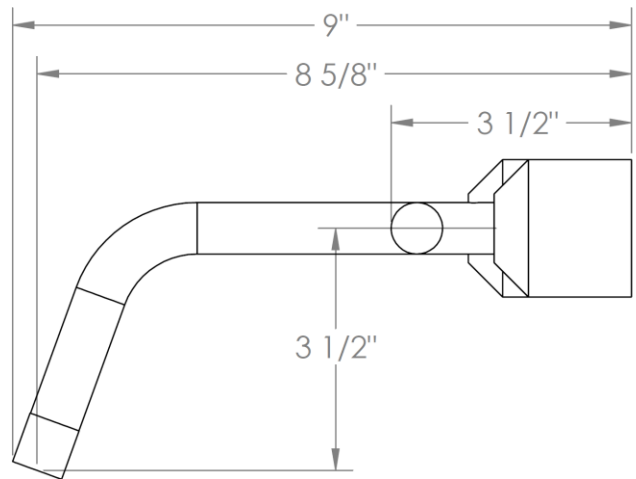
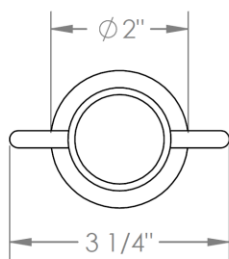
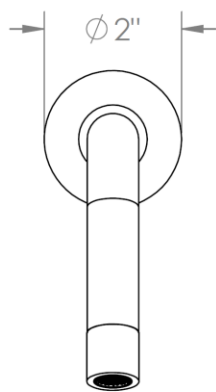


**25-1.2-IN16**

Wall Mounted 2 Hole Lavatory Set

For use with SS-SHV1.2 rough

Flow Rate: 1.2 GPM



Meets the applicable requirements of ASME A112.18.1-2005/CSA B125.1-05, entitled "Plumbing Supply Fittings"