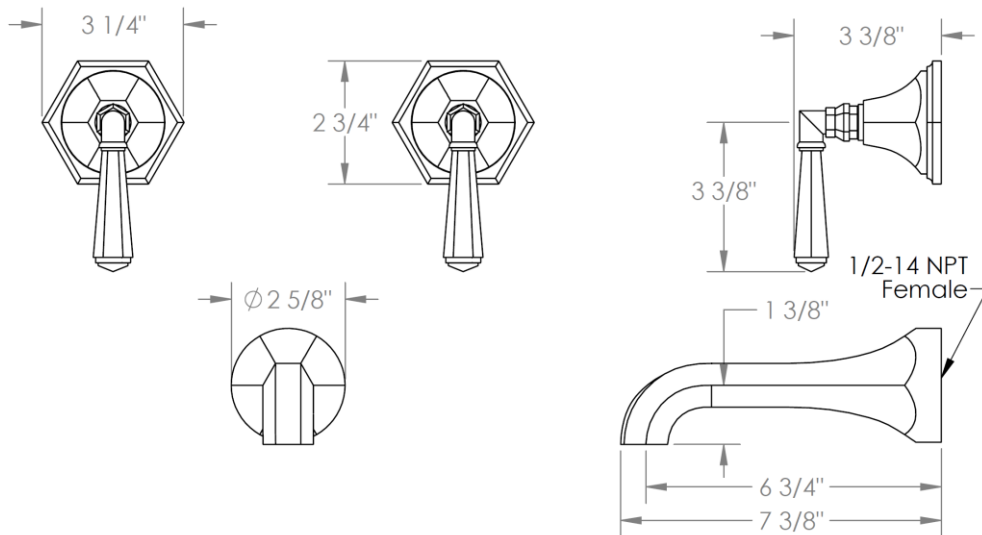


314-5-__

Wall Mounted 3 Hole Bath Set

Requires SS-506 or SS-THV2.2-26C concealed rough

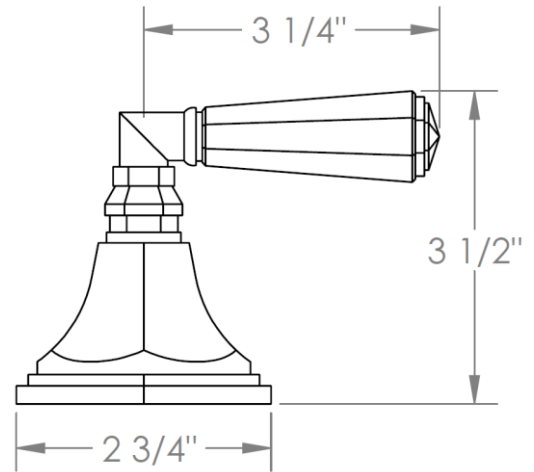
Note: Some building codes may require a remote pressure balance valve for anti scald, such as the SS-PB50.



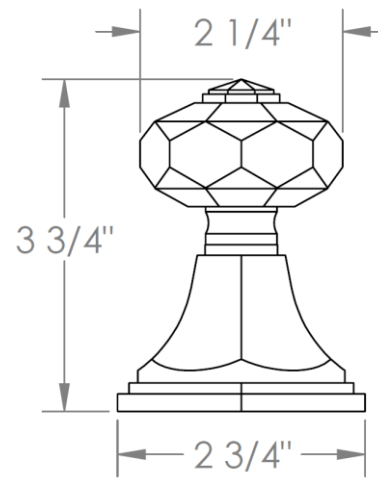
Meets the applicable requirements of ASME A112.18.1-2005/CSA B125.1-05, entitled "Plumbing Supply Fittings"

HANDLE TRIM OPTIONS

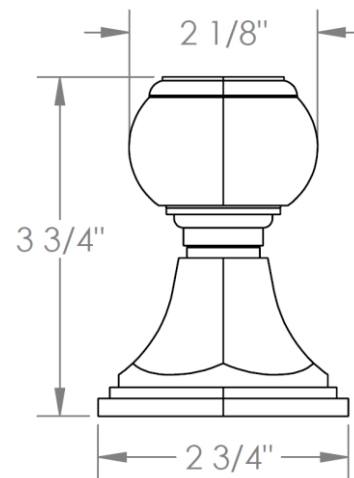
CRY4 – ROOSEVELT



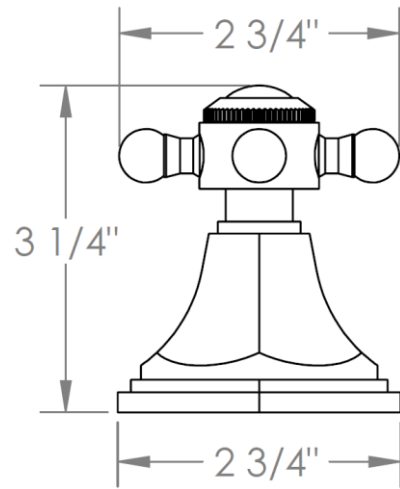
CRY5 – MARMONT



T6 – NEWTON



XX – SHETFIELD



YY – NEWPORT

