

# HUNLEY HOT AND COLD FILTRATION FAUCET

## Model # 1900HC



### PRODUCT DESCRIPTION

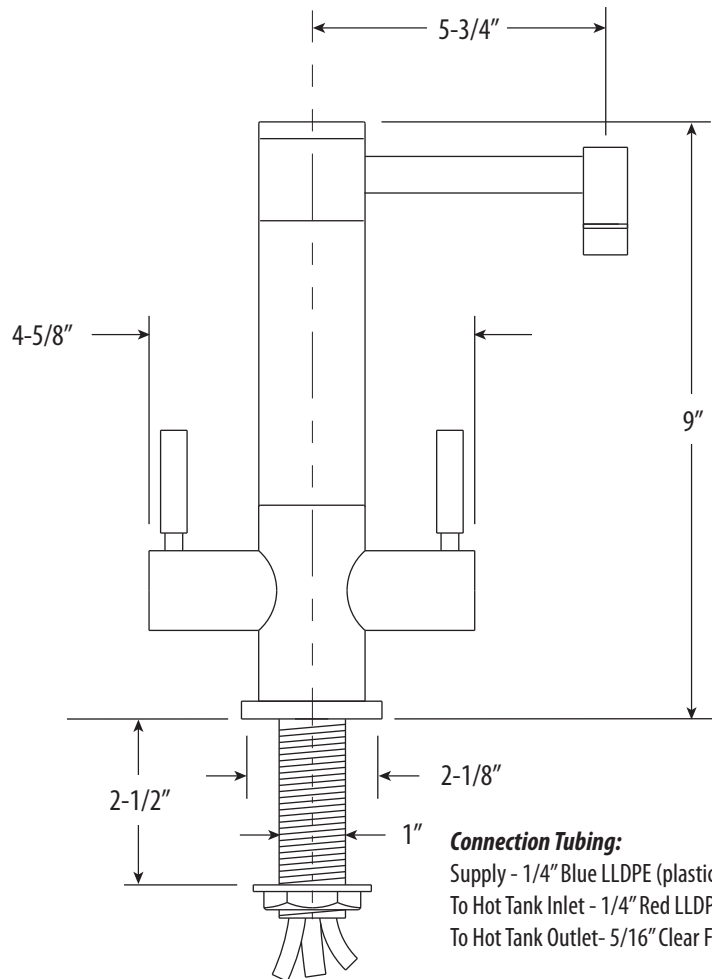
- For use with Waterstone Ultimate Filtration System.
- Part of the Hunley Contemporary Suite.
- Sleek straight spout with 5-3/4" reach.
- Spout swivels 360 degrees.
- Compatible with reverse osmosis filtration systems.
- 1/4 turn ceramic disk valve cartridges.
- 1.1 gpm maximum flow rate.
- Solid brass or stainless steel construction.
- Double lever handles.
- ADA compliant.
- Compatible with Reverse Osmosis filtration systems.
- Lifetime functional warranty.
- Made in the USA.

### CODES/STANDARDS APPLICABLE

Specified model meets or exceeds the following:

- ASME A112.18.1
- CSA B125.1
- NSF 61, 372
- CALGreen
- ADA Compliant

- Max Counter Thickness 2-1/2"
- Install Hole Size Adaptable Up to 1-3/8"



DIMENSIONS MAY VARY AND ARE SUBJECT TO CHANGE. NO RESPONSIBILITY IS ASSUMED FOR USE OF SUPERCEDED OR VOIDED DATA



### AVAILABLE IN 30 FINISHES + SOLID STAINLESS STEEL

Antique Brass - AB  
Antique Bronze - ABZ  
Antique Copper - AC  
American Bronze - AMB  
Antique Pewter - AP  
Gloss Black - GB  
Black Nickel - BLN  
Black-Oil Rubbed Bronze - ORB  
Caribbean Bronze - CB  
Chocolate Bronze - CHB  
Chrome - CH

Classic Bronze - CLZ  
Distressed Antique Brass - DAB  
Distressed Antique Copper - DAC  
Distressed American Bronze - DAMB  
Distressed Antique Pewter - DAP  
Matte Black - MB  
Polished Brass - PB  
Polished Copper - PC  
Polished Gold - PG  
Polished Nickel - PN  
Satin Brass - SB

Satin Chrome - SC  
Satin Gold - SG  
Satin Nickel - SN  
Stainless Steel - SS\*  
Tuscan Brass - TB  
Unlaquered Polished Brass - UPB  
Venetian Bronze - VB  
Weathered Brass - WB  
Weathered Copper - WC