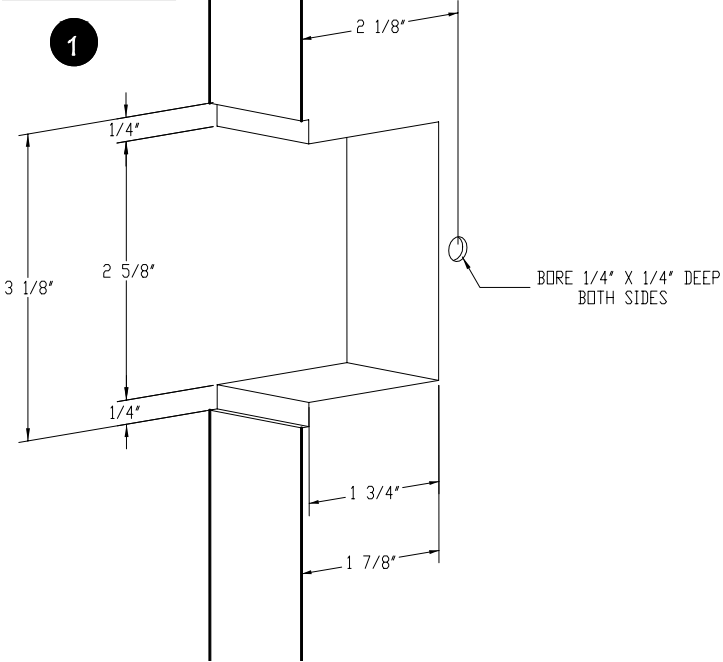
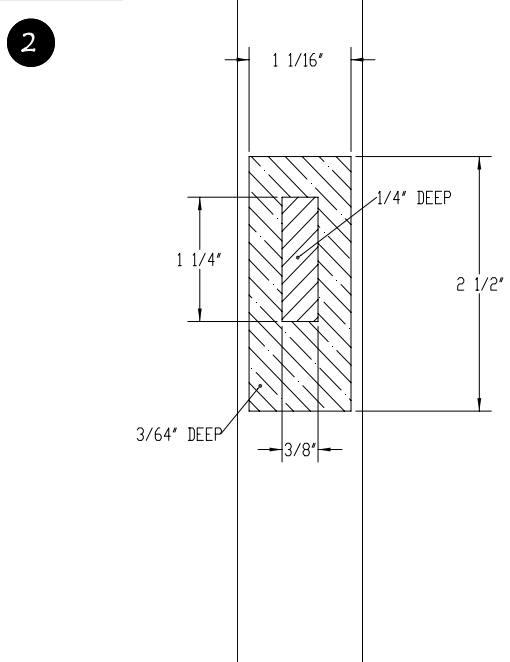


Installation Instructions—Pocket Door lock – Passage / Privacy

Door Prep.

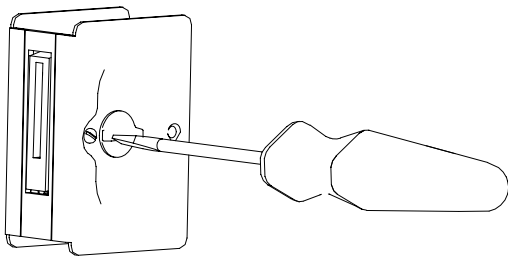


Jam Prep.



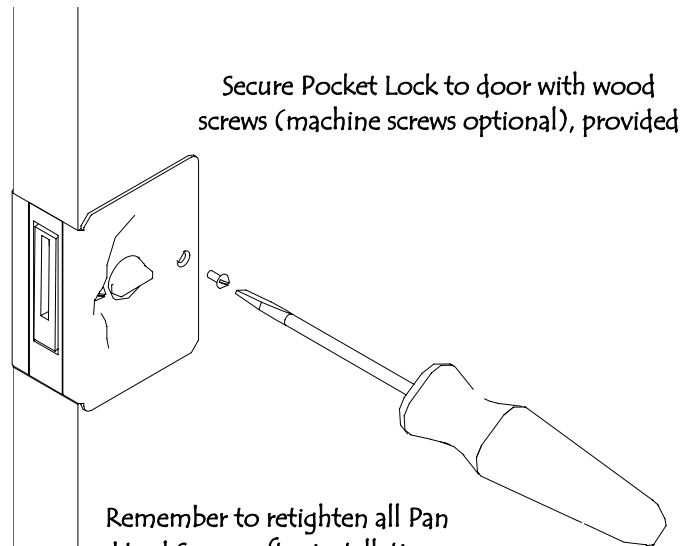
Loosen Screw

3 **IMPORTANT:** Loosen Pan Head Screws before installing lock to door—both sides.



Secure Lock

5 Secure Pocket Lock to door with wood screws (machine screws optional), provided



Remember to retighten all Pan Head Screws after installation.

Install Lock

