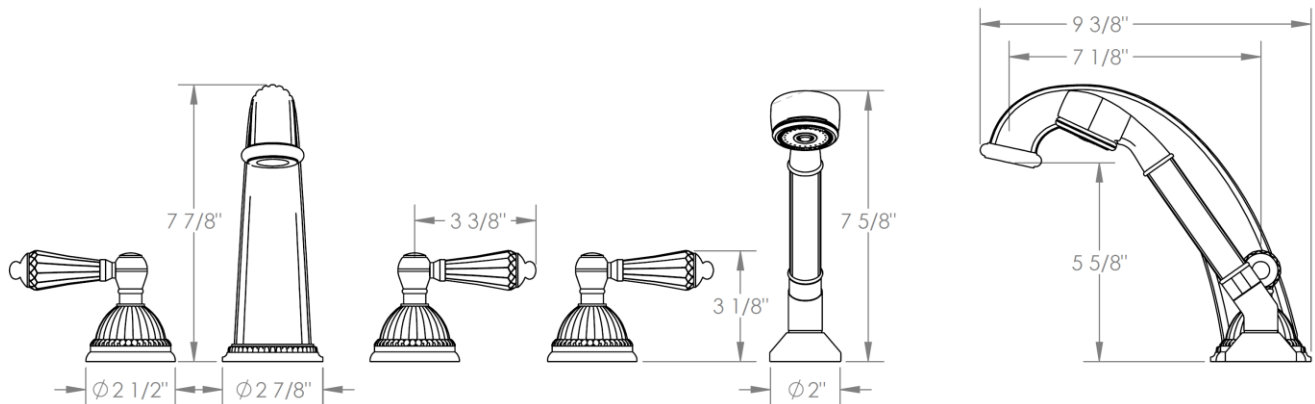


180-8.1-__

Deck Mounted 5 Hole Bath Set with Hand Shower

Hand Shower Flow Rate: 1.75 GPM

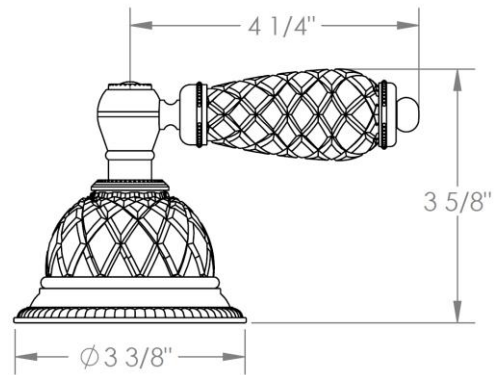
Note: Some building codes require remote pressure balance valves for anti-scald



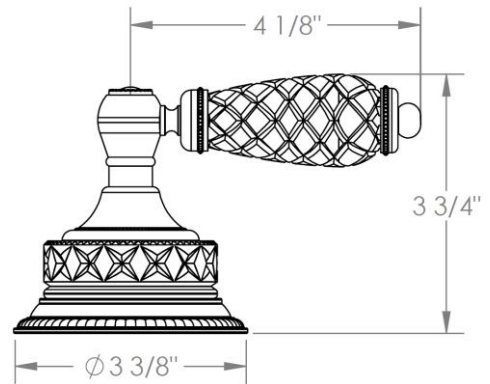
Meets the applicable requirements of ASME A112.18.1-2005/CSA B125.1-05, entitled "Plumbing Supply Fittings"

HANDLE TRIM OPTIONS

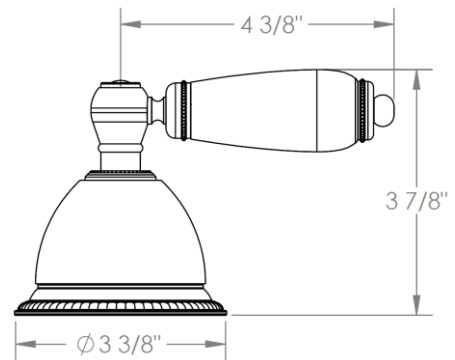
AA - VENICE



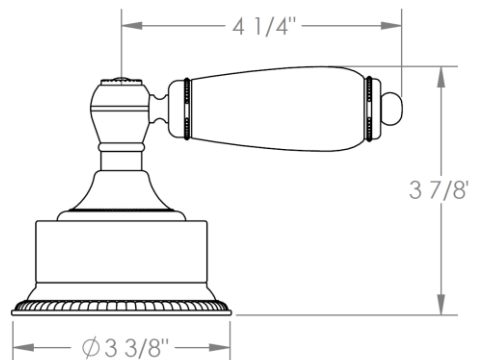
BB - GENOA



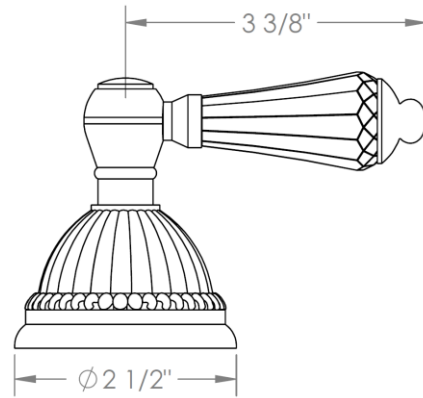
CC - POMPEI



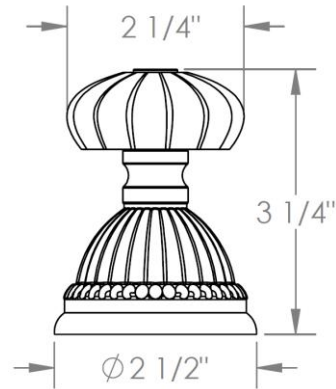
DD - NAPLES



SWU - FLORENCE



T - TUSCANY



U- BOLOGNA

